



Sound Bar
Barre de son
Barra de Sonido
Саундбар
回音壁

SR-C30A
ATS-C300

Safety Brochure	EN
Brochure sur la Sécurité	FR
Sicherheitsbroschüre	DE
Säkerhetsanvisningar	SV
Volantino sulla sicurezza	IT
Folleto de seguridad	ES
Brochura de Segurança	PT
Veiligheidsbrochure	NL
Брошюра по безопасности	RU
安全手册	ZH-CN

PRECAUTIONS

PLEASE READ CAREFULLY BEFORE USE. BE SURE TO FOLLOW THESE INSTRUCTIONS.

The precautions listed below are to prevent risk of harm to the user and others, as well as to prevent property damage, and to help the user use this unit properly and safely. Be sure to follow these instructions.

After reading this manual, be sure to keep it in a safe place where it can be referenced at any time.

- Be sure to request inspections or repairs from the dealer where you purchased the unit or from qualified Yamaha service personnel.
- Yamaha cannot be held responsible for injury to you or damage of the products caused by improper use or modifications to the unit, or data that is lost or destroyed.
- This product is for ordinary homes. Do not use for applications requiring high reliability, such as managing lives, health care or high-value assets.



WARNING

This content indicates “risk of serious injury or death.”

If you notice any abnormality

- If any of the following abnormalities occur, immediately turn off the power and disconnect the power plug.
 - The power cord/plug is damaged.
 - An unusual smell, unusual sound or smoke is emitted from the unit.
 - Foreign material or water gets into the interior of the unit.
 - There is a loss of sound during use.
 - There is a crack or damage in the unit.
- Continued use could cause electric shocks, a fire, or malfunctions. Immediately request an inspection or repair from the dealer where you purchased the unit or from qualified Yamaha service personnel.

Power supply

- Do not do anything that could damage the power cord.
 - Do not place it near a heater.
 - Do not bend it excessively or alter it.
 - Do not scratch it.
 - Do not place it under a heavy object.
- Using the power cord with the core of the cord exposed could cause electric shocks or a fire.
- Do not touch the power plug or cord if there is a chance of lightning. Failure to observe this may cause electric shocks.
 - Use this unit with the power supply voltage printed on it. Failure to connect to an appropriate AC outlet may cause a fire, electric shocks, or malfunctions.
 - Be sure to use the supplied AC adaptor and power cord. Failure to observe the above may cause a fire, burns, or malfunctions.
 - Do not use the supplied AC adaptor and power cord for other units. Failure to observe the above may cause a fire, burns, or malfunctions.

- Check the electric plug periodically and remove any dirt or dust which may have accumulated on it.

Failure to observe this may cause a fire or electric shocks.

- When setting up the unit, make sure that the AC outlet you are using is easily accessible.

If some trouble or malfunction occurs, immediately turn off the power switch and disconnect the plug from the AC outlet. Even when the power switch is turned off, as long as the power cord is not unplugged from the wall AC outlet, the unit will not be disconnected from the power source.

- If not using the unit for long periods of time, be sure to pull the power plug from the AC outlet.

Failure to observe this may cause a fire or malfunctions.

Installation

- Install in the manner instructed in the manual.
Falling or toppling may result in injury or damage.

Do not disassemble

- Do not disassemble or modify this unit.
Failure to observe this may cause a fire, electric shocks, injury, or malfunctions.

Water warning

- Do not expose the unit to rain, use it near water or in damp or wet conditions, or place on it any containers (such as vases, bottles or glasses) containing liquids which might spill into any openings or places where water may drop. A liquid such as water getting into the unit may cause a fire, electric shocks, or malfunctions.
- Never insert or remove an electric plug with wet hands. Do not handle this unit with wet hands.
Failure to observe this may cause electric shocks or malfunctions.

Fire warning

- Do not place any burning items or open flames near the unit, since they may cause a fire.

Handling caution

- Be careful not to drop or apply strong impact to this unit.
Failure to observe this may cause electric shocks, a fire, or malfunctions.

Battery for the remote control



- **DO NOT INGEST BATTERY, CHEMICAL BURN HAZARD**
The remote control supplied with this product contains a coin/button cell battery. If the coin/button cell battery is swallowed, it can cause severe internal burns in just 2 hours and can lead to death.
Keep new and used batteries away from children. If the battery compartment does not close securely, stop using the product and keep it away from children.
If you think batteries might have been swallowed or placed inside any part of the body, seek immediate medical attention.

- Do not disassemble a battery.
If the contents of the battery get on your hands or in your eyes, it can cause blindness or chemical burns.
- Do not dispose of a battery in fire.
- Do not expose the battery to conditions of extreme low air pressure, cold or heat (such as in direct sunlight or a fire) or excessive dust or humidity.
Doing so may result in the battery bursting, causing a fire or injury.
- Do not attempt to recharge batteries that are not intended to be charged.
Charging could cause the battery to burst or leak, which can cause blindness, chemical burns, or injury.
- If the batteries do leak, avoid contact with the leaked fluid.
If the battery fluid should come in contact with your eyes, mouth, or skin, wash immediately with water and consult a doctor. Battery fluid is corrosive and may possibly cause loss of sight or chemical burns.

Wireless unit

- Do not use this unit near medical devices or inside medical facilities.
Radio waves from this unit may affect electro-medical devices.
- Do not use this unit within 15 cm (6 in) of persons with a heart pacemaker implant or a defibrillator implant.

Radio waves from this unit may affect electro-medical devices, such as a heart pacemaker implant or defibrillator implant.



CAUTION

This content indicates “risk of injury.”

Power supply

- Do not cover or wrap the AC adaptor with a cloth or blanket. Failure to observe this may trap heat, causing deformation in the case or a fire.
- Do not use an AC outlet where the power plug fits loosely when inserted. Failure to observe this may cause a fire, electric shocks, or burns.
- When disconnecting the power plug, always hold the plug itself and not the cord. Pulling by the cord can damage it and cause electric shocks or a fire.
- Insert the power plug firmly all the way into the AC outlet. Using the unit when it is not plugged in sufficiently can cause dust to accumulate on the plug, causing a fire or burns.

Installation

- Do not place the unit in an unstable position where it might accidentally drop or fall over and cause injuries.
- When installing this unit, do not obstruct heat dissipation.
 - Do not cover it with any cloth.
 - Do not install it on a carpet or rug.
 - Do not block this unit's ventilation holes (cooling slits). (Refer to Fig. 1 on page 4.)
 - Do not install the unit in other ways than indicated.
 - Do not use the device in a confined, poorly-ventilated location.Failure to observe the above may trap heat inside the unit, causing a fire or malfunctions. Ensure that there is adequate space around the sound bar: at least 10 cm (4 in) on top, 10 cm (4 in) on the sides, and 10 cm (4 in) on the rear. Ensure that there is adequate space around the subwoofer: at least 20 cm (8 in) on top, 20 cm (8 in) on the sides, and 20 cm (8 in) on the rear.
- Do not install the unit in places where it may come into contact with corrosive gases or salt air or places that have excessive smoke or steam.

Doing so may result in malfunction.

- Avoid being near the unit during a disaster, such as an earthquake. Since the unit may turn over or fall and cause injury, quickly move away from the unit and go to a safe place.
- Before moving this unit, be sure to turn off the power switch and disconnect all connection cables. Failure to observe this may damage the cables or cause you or someone else to trip and fall.
- For proper mounting the sound bar on a wall, make sure to have it done by the dealer from where you purchased the unit or by qualified service personnel. Failure to observe this may cause the installation to fall and result in injury. Installation requires special skills and experience.

Hearing loss

- Do not use the unit for a long period of time at a high or uncomfortable volume level, since this can cause permanent hearing loss. If you experience any hearing loss or ringing in the ears, consult a physician.
- Before connecting the unit to other devices, turn off the power for all devices. Failing to do so may result in hearing loss, electric shock, or device damage.

Maintenance

- Remove the power plug from the AC outlet before cleaning the unit. Failure to observe this may cause electric shocks.

Handling caution

- Do not insert your hand or fingers into the bass reflex port of the subwoofer. (Refer to Fig. 2 on page 4.) Failure to observe this may cause injury.
- Do not insert foreign materials such as metal or paper into the ventilation holes (cooling slits) of the sound bar and the bass reflex port of the subwoofer. (Refer to Figs. 1 and 2 on page 4.) Failure to observe this may cause a fire, electric shocks, or malfunctions.
- Keep small parts out of the reach of infants. Your children may accidentally swallow them.
- Do not do the following:
 - stand on or sit on the equipment.

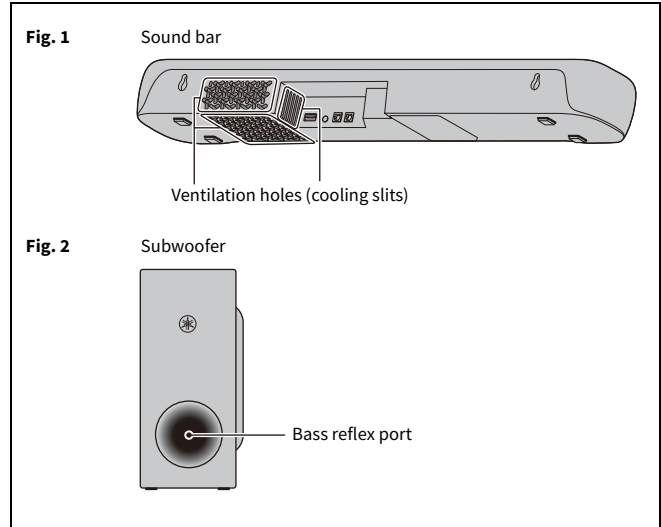
- put heavy items on top of the equipment.
- place the equipment in a stack.
- apply unreasonable force to buttons, switches, input/output terminals, etc.
- hang on the sound bar installed on a wall.
- lean against the sound bar installed on a wall.

Failure to observe this may cause injuries or damage to the equipment.

- Avoid pulling the connected cables to prevent injuries or damage to the unit by causing it to fall.

Battery for the remote control

- Do not use batteries other than specified batteries.
Doing so may cause fire or burns, or result in fluid leakage that may cause skin inflammation.
- Do not put in a pocket or bag, carry, or store batteries together with pieces of metal.
The battery could short, burst, or leak, causing a fire or injury.
- Always make sure all batteries are inserted in conformity with the +/- polarity markings.
Failure to do so might result in a fire, burns, or inflammation due to fluid leaks.
- When the batteries run out, or if the unit is not to be used for a long time, remove the batteries from the remote control to prevent possible leakage of the battery fluid.
- When storing or discarding batteries, insulate the terminal area by applying tape, or some other protection.
Mixing them with other batteries or metal objects can cause a fire, burns, or inflammation due to fluid.



Notice

Indicates points that you must observe in order to prevent product failure, damage or malfunction and data loss.

Power supply

- If not using the unit for a long period of time, be sure to pull the power plug from the outlet. Even if this unit is turned off by [⏻](Standby/On), a minute current is still flowing.

Installation

- Do not use this unit in a location that is exposed to direct sunlight that becomes extremely hot, such as near a heater, or extremely cold, or that is subject to excessive dust or vibration. Failure to observe this may cause the unit's panel to become deformed, the internal components to malfunction, or for operation to become unstable.
- If using a wireless function, avoid installing this unit near metal walls or desks, microwave ovens, or other wireless network devices. Obstructions could shorten the transmission distance.

Connections

- If connecting external units, be sure to thoroughly read the manual for each unit and connect them in accordance with the instructions. Failure to properly handle a unit in accordance with the instructions could cause malfunctions.
- Do not connect this unit to industrial units. This unit has been designed to connect to a consumer-use unit. Connection to an industrial unit could cause this unit to malfunction.

Handling

- Do not place vinyl, plastic, or rubber products on this unit. Failure to observe this may cause discoloration or deformation in the panel of this unit.
- If the ambient temperature changes drastically (such as during unit transportation or under rapid heating or cooling) and there is a chance condensation may have formed in the unit, leave the unit for several hours without turning on the power until it is completely dry before use. Using the unit while there is condensation can cause malfunctions.

Maintenance

- When cleaning the unit, use a dry, soft cloth. Using chemicals such as benzine or thinner, cleaning agents, or chemical scrubbing cloths can cause discoloration or deformation.

Speakers

- Do not touch the speaker units. Failure to observe this may damage the speaker units.

Disposal or transfer

- Be sure to discard used batteries in accordance with local regulations.
- If you plan to transfer ownership of this product, include this document and the supplied accessories along with the product.
- Follow the rules of your local authority to dispose of this product and its accessories.

Information for users on collection and disposal of old equipment and used batteries:



These symbols on the products, packaging, and/or accompanying documents mean that used electrical and electronic products and batteries should not be mixed with general household waste. For proper treatment, recovery and recycling of old products and used batteries, please take them to applicable collection points, in accordance with your national legislation.



By disposing of these products and batteries correctly, you will help to save valuable resources and prevent any potential negative effects on human health and the environment which could otherwise arise from inappropriate waste handling.



Pb

For more information about collection and recycling of old products and batteries, please contact your local municipality, your waste disposal service or the point of sale where you purchased the items.

For business users in the European Union:

If you wish to discard electrical and electronic equipment, please contact your dealer or supplier for further information.

Information on Disposal in other Countries outside the European Union:

These symbols are only valid in the European Union. If you wish to discard these items, please contact your local authorities or dealer and ask for the correct method of disposal.

Note for the battery symbol (bottom two symbol examples):

This symbol might be used in combination with a chemical symbol. In this case it complies with the requirement set by the EU Battery Directive for the chemical involved.

(weee_battery_eu_en_02)

Information

About functions included in the unit

- Air may be blown out from the bass reflex port. (Refer to Fig. 2 on page 4.) This is not a malfunction. This occurs particularly often when outputting music with heavy bass.

About wireless communication functions [U.K. and Europe models]

- Basic specifications

Bluetooth

Radio Frequency: 2402 MHz to 2480 MHz

Maximum Output Power (EIRP): 7.8 dBm (6.0 mW)

Communication between the sound bar and subwoofer

Radio Frequency: 2405.35 MHz to 2477.35 MHz

Maximum Output Power (EIRP): 9.0 dBm (7.9 mW)

About the name plate of the unit

- Sound bar

The model number, serial number, power requirements, etc., may be found on or near the name plate, which is at the bottom of the unit. You should note this serial number in the space provided below and retain this manual as a permanent record of your purchase to aid identification in the event of theft.

Model No.

Serial No.

(bottom_en_02)

PRÉCAUTIONS D'USAGE

LISEZ ATTENTIVEMENT AVANT DE PROCÉDER À TOUTE UTILISATION. VEILLEZ À SUIVRE CES INSTRUCTIONS.

Les mises en garde énumérées ci-dessous sont destinées à prévenir les risques pour l'utilisateur et les tiers, à éviter les dommages matériels et à aider l'utilisateur à se servir de l'appareil correctement et en toute sécurité. Assurez-vous de suivre ces instructions.

Après avoir consulté ce manuel, conservez-le dans un endroit sûr de façon à pouvoir vous y reporter facilement.

- Veillez à faire inspecter ou réparer l'appareil par le revendeur auprès duquel vous l'avez acheté ou par un technicien Yamaha qualifié.
- Yamaha ne peut être tenu responsable des dommages corporels ou matériels causés par une mauvaise utilisation ou par des modifications apportées à l'appareil.
- Ce produit est conçu pour un usage courant dans les résidences standard. Ne l'utilisez pas pour des applications nécessitant une haute fiabilité, telles que la gestion des gestes essentiels à la vie, des soins de santé ou des biens de grande valeur.



AVERTISSEMENT

Ce contenu indique « un risque de blessures graves ou de mort ».

En cas d'anomalie

- Si l'un des problèmes suivants se produit, coupez immédiatement l'alimentation et retirez la fiche d'alimentation.
 - Le cordon/la fiche d'alimentation est endommagé(e).
 - Une odeur inhabituelle, un bruit bizarre ou de la fumée se dégage de l'appareil.
 - Un corps étranger ou de l'eau a pénétré à l'intérieur de l'appareil.
 - Une brusque perte de son est survenue durant l'utilisation de l'appareil.
 - L'appareil est fissuré ou endommagé.
- En continuant d'utiliser l'appareil dans ces conditions, vous risquez de provoquer des décharges électriques, un incendie ou des dysfonctionnements. Faites immédiatement inspecter ou réparer l'appareil par le revendeur auprès duquel vous l'avez acheté ou par un technicien Yamaha qualifié.

Alimentation

- Ne faites rien qui pourrait endommager le cordon d'alimentation.
 - Ne le placez pas à proximité d'un radiateur.
 - Évitez de le plier excessivement ou de le modifier.
 - Évitez de l'érafler.
 - Ne placez pas dessus d'objets lourds.
- L'utilisation du cordon d'alimentation en ayant le conducteur du cordon exposé pourrait provoquer des décharges électriques ou un incendie.
- En cas de risque d'impact de foudre à proximité de l'appareil, évitez de toucher la fiche d'alimentation.

Le non-respect de cette consigne peut entraîner des chocs électriques.
 - Assurez-vous d'utiliser l'appareil avec la tension d'alimentation qui y est imprimée.

L'absence de raccordement à une prise secteur appropriée pourrait provoquer un incendie, des chocs électriques ou des dysfonctionnements.
 - Veillez à utiliser l'adaptateur secteur et le cordon d'alimentation fournis.

Le non-respect des consignes précédentes risque d'entraîner un incendie, des brûlures ou des dysfonctionnements.

- Évitez de recourir à un adaptateur secteur et à un cordon d'alimentation fournis avec d'autres appareils.
Le non-respect des consignes précédentes risque d'entraîner un incendie, des brûlures ou des dysfonctionnements.
- Vérifiez périodiquement l'état de la prise électrique, dépoussiérez-la et nettoyez-la en prenant soin de retirer toutes les impuretés qui pourraient s'y accumuler.
Le non-respect de cette consigne peut entraîner un incendie ou des chocs électriques.
- Lors de l'installation de l'appareil, assurez-vous que la prise secteur que vous utilisez est facilement accessible.
En cas de problème ou de dysfonctionnement, désactivez immédiatement l'interrupteur d'alimentation et retirez la fiche de la prise secteur. Même lorsque l'interrupteur d'alimentation est en position désactivée, l'appareil n'est pas déconnecté de la source d'électricité tant que le cordon d'alimentation reste branché à la prise murale.
- Si vous prévoyez de ne pas utiliser l'appareil pendant une longue période de temps, assurez-vous de retirer la fiche d'alimentation de la prise secteur.
Le non-respect de cette consigne peut entraîner un incendie ou des dysfonctionnements.

Installation

- Installez-le selon les instructions fournies dans le manuel.
La chute ou le renversement du produit peut entraîner des blessures ou des dommages matériels.

Démontage interdit

- Ne tentez pas de démonter ou de modifier l'appareil.
Le non-respect de cette procédure risque d'entraîner un incendie, des chocs électriques, des blessures ou des dysfonctionnements.

Avertissement relatif à la présence d'eau

- N'exposez pas l'appareil à la pluie, ne l'utilisez pas près d'une source d'eau ou dans un milieu humide et ne posez pas dessus des récipients (tels que des vases, des bouteilles ou des verres) contenant des liquides qui risqueraient de s'infiltrer par

les ouvertures ou de dégouliner. Toute infiltration de liquide tel que de l'eau à l'intérieur de l'appareil risque de provoquer un incendie, des chocs électriques ou des dysfonctionnements.

- N'essayez jamais de retirer ou d'insérer une fiche électrique avec les mains mouillées. Ne manipulez pas l'appareil en ayant les mains mouillées.
Le non-respect de cette procédure risque d'entraîner des chocs électriques ou des dysfonctionnements.

Prévention contre les incendies

- Ne placez pas d'objets brûlants ou de flammes nues à proximité de l'appareil, au risque de provoquer un incendie.

Précautions d'utilisation

- Veillez à ne pas faire tomber l'appareil et à ne pas lui appliquer une pression excessive.
Le non-respect de cette procédure risque d'entraîner des chocs électriques, un incendie ou des dysfonctionnements.

Pile de la télécommande



- N'AVEZ PAS LES PILES SOUS PEINE DE BRÛLURE CHIMIQUE.
La télécommande fournie avec ce produit contient une pile bouton. Si la pile bouton est avalée, elle peut provoquer de graves brûlures internes en seulement 2 heures et entraîner la mort.
Tenez les piles neuves et usées hors de portée des enfants. Si le compartiment des piles ne se ferme pas complètement, cessez d'utiliser le produit et tenez-le hors de portée des enfants.
Si vous pensez que des piles ont pu être avalées ou placées à l'intérieur du corps humain, consultez immédiatement un médecin.
- Ne démontez pas la pile.
Tout contact du contenu des piles avec les mains ou les yeux peut entraîner la cécité ou provoquer des brûlures chimiques.
- Ne jetez pas la pile au feu.

- Évitez d'exposer la pile à des conditions comme une pression d'air extrêmement faible, à un froid ou à une chaleur extrême (comme les rayons directs du soleil ou un feu) ou à une poussière ou une humidité excessive. Cela pourrait causer l'explosion des piles et provoquer un incendie ou des blessures.
- Ne tentez pas de recharger une pile non rechargeable. La charge risque de provoquer une explosion ou une fuite de la pile, ce qui pourrait causer la cécité, des brûlures chimiques ou des blessures.
- En cas de fuite du liquide des piles, évitez tout contact avec ce liquide. En cas de contact avec les yeux, la bouche ou la peau, rincez-vous immédiatement à l'eau claire et consultez un médecin. Le liquide présent dans les piles est corrosif et peut provoquer la cécité ou des brûlures chimiques.

Appareil sans fil

- N'utilisez pas cet appareil à proximité d'appareils médicaux ou au sein d'établissements médicaux. Les ondes radio transmises par l'unité peuvent affecter les appareils électro-médicaux.
- N'utilisez pas cet appareil à moins de 15 cm des personnes disposant d'un stimulateur cardiaque ou d'un défibrillateur. Les ondes radio émanant de cette unité peuvent affecter le fonctionnement des équipements électro-médicaux tels que les stimulateurs cardiaques ou les défibrillateurs cardiaques.



ATTENTION

Ce contenu indique « un risque de blessures ».

Alimentation

- Ne couvrez jamais l'adaptateur secteur d'un tissu ou d'une couverture. Le non-respect de cette consigne risque de provoquer une rétention de chaleur à l'intérieur de l'appareil, susceptible de déformer celui-ci ou de provoquer un incendie.

- N'utilisez pas une prise secteur dans laquelle la fiche d'alimentation ne peut pas s'insérer fermement. Le non-respect de cette consigne peut entraîner un incendie, des chocs électriques ou des brûlures.
- Lorsque vous débranchez la fiche d'alimentation, tenez toujours la fiche elle-même, pas le cordon. Si vous tirez sur le cordon, vous risquez de l'endommager et de provoquer des chocs électriques ou un incendie.
- Introduisez complètement la fiche d'alimentation dans la prise secteur. L'utilisation de l'appareil alors que la fiche d'alimentation n'est pas complètement insérée dans la prise peut entraîner une accumulation de poussière sur la fiche et provoquer un incendie ou des brûlures.

Installation

- Ne placez pas l'appareil dans une position instable afin d'éviter qu'il ne tombe ou se renverse accidentellement et ne provoque des blessures.
- Lors de l'installation de cet appareil, n'obstruez pas les orifices prévus pour la dissipation de la chaleur.
 - Évitez de couvrir l'appareil avec un tissu.
 - N'installez pas l'appareil sur une moquette ou un tapis.
 - Évitez d'obstruer les orifices de ventilation (fentes de refroidissement) de l'appareil. (Reportez-vous à la Fig. 1 à la page 5.)
 - N'installez pas l'appareil d'une autre façon que celle indiquée.
 - N'utilisez pas l'appareil dans un lieu clos, mal aéré.
 Le non-respect de ce qui précède risque d'entraîner une rétention de chaleur à l'intérieur de l'appareil, susceptible de provoquer un incendie ou des dysfonctionnements. Assurez-vous qu'il y a un espace suffisant autour de la barre de son : au moins 10 cm en haut, 10 cm sur les côtés et 10 cm au dos. Assurez-vous qu'il y a un espace suffisant autour du caisson de basses : au moins 20 cm en haut, 20 cm sur les côtés et 20 cm au dos.
- N'installez pas l'appareil dans un emplacement où il pourrait entrer en contact avec des gaz corrosifs ou de l'air à haute teneur en sel ou être exposé à des fumées ou à des vapeurs excessives. Cela pourrait provoquer des dysfonctionnements.
- Évitez d'être à proximité de l'appareil lors de la survenue d'une catastrophe naturelle telle qu'un tremblement de terre. Compte tenu du risque de renversement ou de chute de l'appareil pouvant entraîner des blessures, pensez à vous éloigner rapidement de l'appareil et à vous réfugier dans un lieu sûr.

- Avant de déplacer l'appareil, veillez à désactiver l'interrupteur d'alimentation et à déconnecter tous les câbles de connexion.
Le non-respect de cette consigne peut entraîner l'endommagement des câbles ou provoquer le trébuchement et la chute de l'utilisateur, s'il s'agit de vous-même ou d'autres personnes.
- Pour un montage correct de la barre de son sur un mur, veillez à le confier au revendeur auprès duquel vous avez acheté l'appareil ou à un technicien qualifié.
Le non-respect de cette consigne peut provoquer la chute de l'installation et entraîner des blessures. L'installation nécessite des compétences spéciales et de l'expérience.

Perte de capacités auditives

- N'utilisez pas l'appareil de manière prolongée à un niveau sonore trop élevé ou inconfortable pour l'oreille, au risque d'endommager irrémédiablement votre ouïe. Si vous constatez une baisse d'acuité auditive ou que vous entendez des sifflements, consultez un médecin.
- Avant de raccorder l'appareil à d'autres dispositifs, mettez tous les dispositifs concernés hors tension.
Le non-respect de ces mesures peut provoquer une perte d'acuité auditive, entraîner un risque d'électrocution ou endommager l'équipement.

Entretien et soins

- Retirez la fiche d'alimentation de la prise secteur avant de procéder au nettoyage de l'appareil.
Le non-respect de cette consigne peut entraîner des chocs électriques.

Précautions d'utilisation

- N'insérez pas votre main ou vos doigts dans le port bass-reflex du caisson de basses. (Reportez-vous à la Fig. 2 à la page 5.)
Le non-respect de cette consigne peut provoquer des blessures.
- N'insérez pas de corps étrangers comme du métal ou du papier dans les orifices de ventilation (fentes de refroidissement) de la barre de son et du port bass-reflex du caisson de basses. (Reportez-vous aux Figs. 1 et 2 à la page 5.)
- Assurez-vous de conserver les petits composants hors de portée des jeunes enfants.
Ceux-ci pourraient les avaler accidentellement.

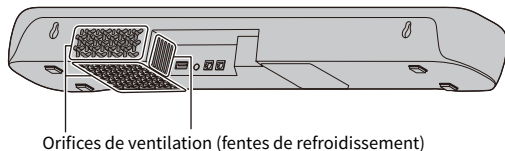
- Évitez de faire ce qui suit :
 - Ne vous asseyez pas sur le produit et ne le piétez pas.
 - Ne placez pas d'objets lourds sur le produit.
 - Ne disposez pas le produit en pile.
 - N'appliquez pas de force excessive sur les touches, les commutateurs, les bornes d'entrée/sortie, etc.
 - N'accrochez rien à la barre de son installée sur un mur.
 - Ne vous appuyez pas contre la barre de son installée sur un mur.Le non-respect de cette consigne peut entraîner des dommages corporels ou matériels.
- Évitez de débrancher les câbles connectés afin de ne pas causer de blessures ou de dommages matériels qui pourraient résulter de la chute de l'appareil.

Pile de la télécommande

- N'utilisez pas de piles autres que les piles spécifiées.
Cela pourrait provoquer un incendie ou des brûlures, ou entraîner des fuites de liquide susceptibles de provoquer une inflammation de la peau.
- Ne conservez pas les piles dans une poche ou un sac contenant des pièces en métal et évitez de transporter ou de stocker des piles avec des éléments métalliques.
Cela pourrait court-circuiter les piles, les faire exploser ou déverser leur liquide et provoquer un incendie ou des blessures.
- Veillez à respecter la polarité (+/-) lors de la mise en place des piles.
Le non-respect de ces instructions risque de provoquer un incendie, des brûlures ou l'apparition de flammes en raison d'une fuite du liquide des piles.
- Lorsque les piles sont déchargées ou que vous n'utilisez pas l'appareil pendant une longue période, retirez les piles de la télécommande pour éviter toute fuite de liquide des piles.
- Avant de procéder au stockage ou à la mise au rebut des piles, veillez à isoler la zone des bornes en appliquant dessus un ruban adhésif ou tout autre type de protection.
Si vous mélangez les piles à d'autres piles ou à des objets métalliques, vous risquez de provoquer un incendie, des brûlures ou l'apparition de flammes dues à la fuite du liquide des piles.

Fig. 1

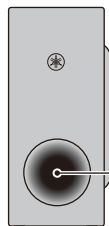
Barre de son



Orifices de ventilation (fentes de refroidissement)

Fig. 2

Caisson de basses



Port bass-reflex

Avis

Indique des points à observer afin d'empêcher la panne, le dommage ou le dysfonctionnement du produit et la perte des données.

Alimentation

- Si vous prévoyez de ne pas utiliser l'appareil pendant une longue période de temps, assurez-vous de retirer le cordon d'alimentation de la prise secteur. Même si cet appareil est éteint par [⏻](Veille/Marche), un courant minime circule encore.

Installation

- N'utilisez pas l'appareil dans un emplacement exposé à la lumière directe du soleil, à une température très élevée (à proximité d'un appareil de chauffage) ou très basse, à un dépôt de poussière excessif ou à de fortes vibrations. Le non-respect de cette consigne pourrait provoquer la déformation du panneau de l'appareil, le dysfonctionnement de ses composants internes ou l'instabilité de son fonctionnement.
- Si vous utilisez une fonction sans fil, évitez d'installer cet appareil à proximité de parois métalliques ou de bureaux en métal, de fours à micro-ondes ou d'autres dispositifs de réseau sans fil. Les obstructions pourraient raccourcir la distance de transmission.

Connexions

- En cas de connexion d'unités externes, assurez-vous de lire attentivement le mode d'emploi de l'appareil concerné et reliez-le conformément aux instructions fournies. La non conformité aux instructions de manipulation peut provoquer le dysfonctionnement de l'appareil.
- Ne connectez pas l'appareil à des unités industrielles. Cet appareil a été conçu pour une connexion à une unité destinée aux consommateurs. La connexion à une unité industrielle pourrait provoquer son dysfonctionnement.

Manipulation

- Ne placez pas de produits en vinyle, en plastique ou en caoutchouc sur l'appareil. Le non-respect de cette consigne pourrait décolorer ou déformer son panneau.
- Si la température ambiante change radicalement (comme pendant le transport de l'unité ou dans des conditions de surchauffe ou de refroidissement rapides) et que de la condensation se forme dans l'unité, laissez l'appareil hors tension pendant plusieurs heures jusqu'à ce qu'il soit complètement sec avant de le réutiliser. L'utilisation de l'appareil en cas de formation de condensation peut entraîner son dysfonctionnement.

Entretien

- Utilisez un chiffon doux et sec pour le nettoyage de l'appareil. L'utilisation de produits chimiques tels que de la benzène ou du diluant, de produits d'entretien ou de chiffons de lavage chimique peut causer la décoloration ou la déformation de l'appareil.

Haut-parleurs

- Ne touchez pas les unités de haut-parleur, Le non-respect de cette consigne peut endommager les unités de haut-parleur.

Mise au rebut ou transfert

- Veillez à mettre au rebut les piles usagées selon la réglementation locale en vigueur.
- Si vous envisagez de transférer la propriété de ce produit, incluez ce document et les accessoires fournis avec le produit.
- Suivez les règles des autorités locales pour mettre au rebut ce produit et ses accessoires.

Informations concernant la collecte et le traitement des piles usagées et des déchets d'équipements électriques et électroniques



Les symboles sur les produits, l'emballage et/ou les documents joints signifient que les produits électriques ou électroniques usagés ainsi que les piles usagées ne doivent pas être mélangés avec les déchets domestiques habituels. Pour un traitement, une récupération et un recyclage appropriés des déchets d'équipements électriques et électroniques et des piles usagées, veuillez les déposer aux points de collecte prévus à cet effet, conformément à la réglementation nationale.



Pb

En vous débarrassant correctement des déchets d'équipements électriques et électroniques et des piles usagées, vous contribuerez à la sauvegarde de précieuses ressources et à la prévention de potentiels effets négatifs sur la santé humaine qui pourraient advenir lors d'un traitement inapproprié des déchets.

Pour plus d'informations à propos de la collecte et du recyclage des déchets d'équipements électriques et électroniques et des piles usagées, veuillez contacter votre municipalité, votre service de traitement des déchets ou le point de vente où vous avez acheté les produits.

Pour les professionnels dans l'Union européenne :

Si vous souhaitez vous débarrasser des déchets d'équipements électriques et électroniques, veuillez contacter votre vendeur ou fournisseur pour plus d'informations.

Informations sur la mise au rebut dans d'autres pays en dehors de l'Union européenne :

Ces symboles sont seulement valables dans l'Union européenne. Si vous souhaitez vous débarrasser de déchets d'équipements électriques et électroniques ou de piles usagées, veuillez contacter les autorités locales ou votre fournisseur et demander la méthode de traitement appropriée.

Note pour le symbole « pile » (deux exemples de symbole cidessous) :

Ce symbole peut être utilisé en combinaison avec un symbole chimique. Dans ce cas, il respecte les exigences établies par la directive européenne relative aux piles pour le produit chimique en question.

(weee_battery_eu_fr_02)

Informations

À propos des fonctions intégrées à l'appareil

- L'air peut être soufflé à partir du port bass reflex. (Reportez-vous à la Fig. 2 à la page 5.) Il ne s'agit pas d'un dysfonctionnement de l'instrument. Cela se produit particulièrement souvent en cas d'émission de musique aux accents marqués de basses.

À propos des fonctions de communication sans fil [Modèles pour le Royaume-Uni et l'Europe]

- Caractéristiques de base

Bluetooth

Fréquence radio : 2402 MHz à 2480 MHz

Puissance de sortie maximale (EIRP): 7,8 dBm (6,0 mW)

Communication entre la barre de son et le caisson de basses

Fréquence radio : 2405,35 MHz à 2477,35 MHz

Puissance de sortie maximale (EIRP): 9,0 dBm (7,9 mW)

À propos de la plaque signalétique de l'appareil

- Barre de son

Le numéro de modèle, le numéro de série, l'alimentation requise, etc., se trouvent sur ou près de la plaque signalétique du produit, située dans la partie inférieure de l'unité. Notez le numéro de série dans l'espace fourni ci-dessous et conservez ce manuel en tant que preuve permanente de votre achat afin de faciliter l'identification du produit en cas de vol.

N° de modèle

N° de série

(bottom_fr_01)

VORSICHTSMASSNAHMEN

BITTE VOR DER NUTZUNG SORGFÄLTIG LESEN BEFOLGEN SIE DIESE ANWEISUNGEN IN JEDEM FALL.

Die unten aufgeführten Vorsichtsmaßnahmen dienen dazu, dem Verletzungsrisiko für den Anwender und Andere vorzubeugen, sowie Beschädigung eigenen oder fremden Eigentums zu verhindern und dem Anwender den korrekten und sicheren Gebrauch des Produkts zu ermöglichen. Befolgen Sie diese Anweisungen in jedem Fall.

Bewahren Sie das Handbuch nach der Lektüre an einem sicheren Ort auf, um jederzeit darin nachschlagen zu können.

- Lassen Sie das Produkt bei dem Händler, bei dem Sie das Produkt erworben haben oder durch qualifiziertes Fachpersonal bei Yamaha überprüfen oder reparieren.
- Yamaha kann nicht für Verletzungen von Personen oder für Schäden an den Produkten verantwortlich gemacht werden, die durch falsche Verwendung des (oder durch Veränderungen am) Gerät(s) hervorgerufen wurden.
- Dieses Produkt ist für gewöhnliche Wohnungen vorgesehen. Verwenden Sie es nicht für Anwendungen, die eine hohe Zuverlässigkeit erfordern, wie Lebenserhaltung, Gesundheit & Pflege oder wertvolle Vermögenswerte.



WARNUNG

Dieser Inhalt weist auf „unmittelbares Risiko schwerer Verletzungen oder Todesgefahr“ hin.

Ungewöhnliche Vorkommnisse

- Wenn eines der folgenden ungewöhnlichen Dinge auftritt, schalten Sie die Komponente sofort aus und ziehen den Netzstecker aus der Steckdose.
 - Das Netzkabel bzw. der Netzstecker ist beschädigt.
 - Die Einheit entwickelt einen ungewöhnlichen Geruch, ungewöhnliches Geräusch oder Rauch.
 - Ein Fremdkörper oder Wasser ist in das Innere der Einheit gelangt.
 - Bei Gebrauch kommt es zu Tonausfall.
 - Es liegen Risse oder andere Schäden an der Einheit vor.Durch fortgesetzten Gebrauch könnte ein elektrischer Schlag, Brand oder eine Fehlfunktion verursacht werden. Lassen Sie die Einheit unverzüglich bei dem Händler, bei dem Sie sie erworben haben, oder von qualifiziertem Yamaha-Fachpersonal überprüfen oder reparieren.

Stromversorgung

- Unternehmen Sie nichts, wodurch das Netzkabel beschädigt werden könnte.
 - Verlegen Sie es nicht in Nähe einer Heizung.
 - Verbiegen oder verändern Sie die Form nicht zu sehr.
 - Vermeiden Sie ein Scheuern des Netzkabels.
 - Verlegen Sie es nicht unter einem schweren Gegenstand.Wenn Sie das Netzkabel verwenden, während die Adern der Leitungen blank liegen, kann dies zu einem elektrischen Schlag oder Bränden führen.
- Berühren Sie bei Blitzgefahr weder den Netzstecker noch das Netzkabel. Nichtbeachtung dieser Anweisung kann dazu führen, dass Sie einen elektrischen Schlag erleiden.
- Verwenden Sie diese Einheit ausschließlich mit der darauf angegebenen Netzspannung. Ein fehlerhafter Anschluss an einer Netzsteckdose kann zu Bränden, elektrischem Schlag oder Fehlfunktionen führen.

- Verwenden Sie ausschließlich den mitgelieferten Netzadapter und das mitgelieferte Netzkabel.
Die Nichtbeachtung der obigen Anweisung führt zu Bränden, Verbrennungen oder Fehlfunktionen.
- Verwenden Sie den mitgelieferten Netzadapter und das mitgelieferte Netzkabel nicht für andere Einheiten.
Die Nichtbeachtung der obigen Anweisung führt zu Bränden, Verbrennungen oder Fehlfunktionen.
- Überprüfen Sie regelmäßig den Zustand des Netzsteckers, und entfernen Sie jeglichen Schmutz oder Staub, der sich darauf angesammelt hat.
Nichtbeachtung dieser Anweisung kann zu Bränden oder einem elektrischen Schlag führen.
- Achten Sie beim Aufstellen der Einheit darauf, dass die verwendete Netzsteckdose leicht erreichbar ist.
Sollten Probleme auftreten oder es zu einer Fehlfunktion kommen, schalten Sie die Komponente sofort aus und ziehen Sie den Stecker aus der Netzsteckdose. Auch dann, wenn der Netzschalter ausgeschaltet ist, ist die Komponente nicht von der Stromversorgung getrennt, solange das Netzkabel an der Steckdose angeschlossen ist.
- Wird die Komponente voraussichtlich längere Zeit nicht benutzt, sollten Sie unbedingt das Netzkabel aus der Netzsteckdose ziehen.
Nichtbeachtung dieser Anweisung kann zu Bränden oder Fehlfunktionen führen.

Montage

- Installieren Sie das Produkt so, wie es in der Anleitung beschrieben ist.
Durch Herunterfallen oder Umkippen können Verletzungen oder Schäden verursacht werden.

Nicht auseinanderbauen

- Diese Einheit nicht auseinanderbauen oder modifizieren.
Die Nichtbeachtung dieser Anweisung kann zu Bränden, elektrischem Schlag, Verletzungen oder Fehlfunktionen führen.

Gefahr durch Wasser

- Achten Sie darauf, dass die Einheit nicht durch Regen nass wird, verwenden Sie es nicht in der Nähe von Wasser oder unter feuchten oder nassen Umgebungsbedingungen und stellen Sie auch keine Behälter (wie z. B. Vasen, Flaschen oder Gläser) mit Flüssigkeiten darauf, die herausschwappen und in Öffnungen hineinfließen könnten, oder an Orten, an denen Wasser hineintropfen könnte. Eine Flüssigkeit wie Wasser, die in die Einheit gelangt, kann einen Brand, einen elektrischen Schlag oder Fehlfunktionen auslösen.
- Mit nassen Händen sollten Sie niemals einen Netzstecker in eine Steckdose stecken oder herausziehen. Berühren Sie dieses Gerät niemals mit feuchten Händen.
Die Nichtbeachtung dieser Anweisung kann zu elektrischem Schlag oder Fehlfunktionen führen.

Brandschutz

- Platzieren Sie keinerlei brennende Gegenstände oder offenes Feuer in Nähe der Einheit, da dies einen Brand verursachen kann.

Vorsichtsmaßnahmen während der Benutzung

- Achten Sie darauf, diese Einheit nicht fallen zu lassen oder starken Stößen auszusetzen.
Die Nichtbeachtung dieser Anweisung kann zu elektrischem Schlag, Bränden, Verletzungen oder Fehlfunktionen führen.

Batterie für die Fernbedienung



- **BATTERIE/AKKU NICHT VERSCHLUCKEN, VERÄTZUNGSGEFAHR!**
Die mit diesem Produkt gelieferte Fernbedienung enthält eine Knopfzelle. Wenn die Knopfzelle verschluckt wird, kann dies innerhalb von nur 2 Stunden schwere innere Verätzungen verursachen und zum Tode führen.
Bewahren Sie neue und gebrauchte Batterien/Akkus für Kinder unzugänglich auf. Sollte das Batteriefach sich nicht fest schließen lassen, sehen Sie von einer weiteren Verwendung des Produkts ab und bewahren es für Kinder unzugänglich auf.
Wenn der Verdacht besteht, dass Batterien/Akkus verschluckt wurden oder anderweitig in den Körper gelangt sind, ziehen Sie sofort ärztliche Hilfe hinzu.

- Nehmen Sie Batterien/Akkus nicht auseinander.
Wenn der Inhalt des Akkus auf Ihre Hände oder in Ihre Augen gelangt, kann dies zu Blindheit oder chemischen Verbrennungen führen.
- Werfen Sie die Batterien/Akkus zur Entsorgung nicht ins Feuer.
- Setzen Sie die Batterie nicht extrem niedrigem Luftdruck, Kälte oder Hitze (z. B. in direkter Sonnenbestrahlung oder Feuer) oder übermäßigem Staub oder Feuchtigkeit aus.
Dies kann dazu führen, dass die Batterie platzt und einen Brand oder Verletzungen verursacht.
- Versuchen Sie niemals Batterien aufzuladen, die nicht als Akkus zum mehrfachen Gebrauch und Nachladen vorgesehen sind.
Durch Aufladen kann die Batterie platzen oder auslaufen, was Blindheit, chemische Verbrennungen oder Verletzungen zur Folge haben könnte.
- Wenn Batterien/Akkus auslaufen, vermeiden Sie jede Berührung mit der ausgetretenen Flüssigkeit.
Wenn die Batterieflüssigkeit mit Augen, Mund oder Haut in Kontakt kommt, bitte sofort mit Wasser auswaschen und einen Arzt aufsuchen. Batterieflüssigkeit ist korrosiv und kann Sehverlust oder chemische Verbrennungen bewirken.

Kabellose Komponenten

- Verwenden Sie diese Einheit nicht in der Nähe medizinischer Geräte oder in medizinischen Einrichtungen.
Von dieser Einheit ausgestrahlte Funkwellen können sich auf medizinisch-elektrische Geräte auswirken.

- Halten Sie beim Verwenden dieser Einheit einen Mindestabstand von 15 cm zwischen der Einheit und Personen mit Herzschrittmacher oder Defibrillator ein. Von dieser Einheit ausgehende Funkwellen können Auswirkungen auf medizinisch-elektrische Geräte wie einen implantierten Herzschrittmacher oder Defibrillator haben.



VORSICHT

Der zugehörige Inhalt weist auf „ein Risiko schwerer Verletzungen“ hin.

Stromversorgung

- Bedecken Sie den Netzadapter niemals mit einem Tuch oder einer Decke.
Nichtbeachtung kann dazu führen, dass sich ein Hitzestau bildet, wodurch sich das Gehäuse verformen oder ein Brand ausgelöst werden könnte.
- Verwenden Sie keine Netzsteckdose, in der der Netzstecker keinen festen Halt hat.
Nichtbeachtung dieser Anweisung kann zu Bränden elektrischem Schlag oder Verbrennungen führen.
- Fassen Sie beim Ziehen des Netzsteckers stets den Stecker; ziehen Sie nicht am Kabel.
Durch Ziehen am Netzkabel kann dieses beschädigt werden und einen elektrischen Schlag oder einen Brand auslösen.
- Stecken Sie den Netzstecker vollständig in die Netzsteckdose hinein.
Durch Gebrauch der Einheit bei nicht vollständig eingestecktem Stecker kann sich Staub auf dem Stecker ansammeln, der zu Bränden oder Verbrennungen führen kann.

Montage

- Stellen Sie die Einheit nicht an einer instabilen Position ab, wo sie versehentlich herunterfallen oder umstürzen und Verletzungen verursachen könnte.
- Achten Sie bei der Aufstellung dieser Einheit darauf, dass die Wärmeabfuhr nicht behindert wird.
 - Bedecken Sie sie nicht mit einem Tuch.
 - Stellen Sie sie nicht auf einen Teppich oder eine Decke.

- Blockieren Sie nicht die Lüftungsöffnungen (Kühlschlitze) dieser Einheit. (Siehe Abb. 1 auf Seite 5.)
- Stellen Sie die Einheit nicht auf andere Art und Weise auf als hier angegeben.
- Verwenden Sie das Gerät nicht an einer beengten und schlecht belüfteten Stelle. Nichtbeachtung der obigen Anweisung kann dazu führen, dass sich in der Einheit ein Hitzestau bildet, der einen Brand oder Fehlfunktionen auslösen könnte. Achten Sie auf ausreichend Freiraum um die Soundbar, mindestens 10 cm oben, 10 cm an den Seiten und 10 cm hinten. Achten Sie auf ausreichend Freiraum um den Subwoofer, mindestens 20 cm oben, 20 cm an den Seiten und 20 cm hinten.
- Platzieren Sie die Einheit nicht an Orten, an denen sie in Kontakt mit korrosiven Gasen oder salzhaltiger Luft gelangen könnte, oder an Orten mit starker Rauch- oder Dampfentwicklung. Dadurch kann es zu Fehlfunktionen kommen.
- Vermeiden Sie in Gefahrensituationen wie z. B. einem Erdbeben, sich in der Nähe der Einheit aufzuhalten. Da die Einheit umkippen oder herunterfallen und Verletzungen hervorrufen könnte, entfernen Sie sich schnell von der Einheit und suchen Sie einen sicheren Ort auf.
- Achten Sie darauf, den Netzschalter der Einheit auszuschalten und alle Anschlusskabel von der Einheit zu trennen. Bei Nichtbeachtung können die Kabel beschädigt werden oder dazu führen, dass Sie oder Andere darüber stolpern und fallen könnten.
- Beauftragen Sie den Händler, bei dem Sie die das Gerät erworben haben, oder einen qualifizierten Fachmann mit der Montage der Soundbar an einer Wand. Nichtbeachtung kann einen Fall der Baugruppe verursachen und eine Verletzung zur Folge haben. Die Installation erfordert spezielles Wissen und Erfahrung.

Hörminderung

- Benutzen Sie die Einheit nicht über längere Zeit mit zu hohen oder unangenehmen Lautstärken. Hierdurch können bleibende Hörschäden entstehen. Sollten Sie einen Hörverlust erleiden oder ein Klingeln in den Ohren wahrnehmen, suchen Sie einen Arzt auf.
- Ehe Sie die Einheit an andere elektronische Komponenten anschließen, schalten Sie die Stromversorgung aller Komponenten aus. Nichtbeachtung kann eine Hörminderung, einen elektrischen Schlag oder Geräteschäden zur Folge haben.

Wartung

- Ziehen Sie den Netzstecker aus der Steckdose, bevor Sie die Einheit reinigen. Nichtbeachtung dieser Anweisung kann dazu führen, dass Sie einen elektrischen Schlag erleiden.

Vorsichtsmaßnahmen während der Benutzung

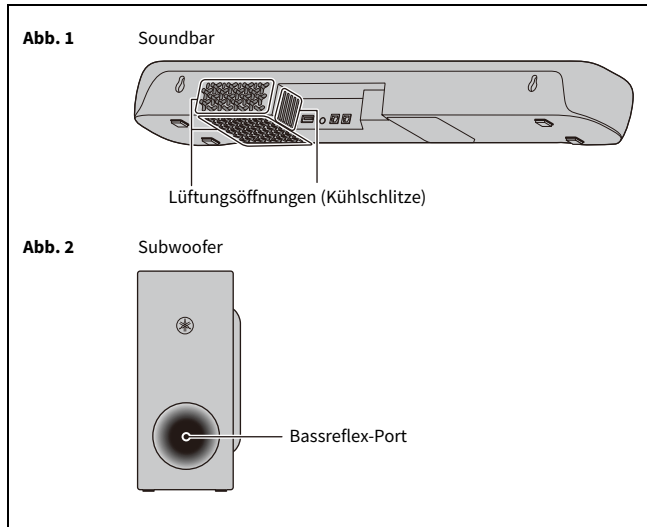
- Stecken Sie Ihre Hand oder Finger nicht in den Bassreflex-Port des Subwoofers. (Siehe Abb. 2 auf Seite 5.) Nichtbeachtung dieser Anweisung kann zu Verletzungen führen.
- Stecken Sie keine Fremdkörper aus Metall oder Papier in die Lüftungsöffnungen (Kühlschlitze) der Soundbar und den Bassreflex-Port des Subwoofers. (Siehe Abb. 1 und 2 auf Seite 5.)
- Halten Sie kleine Teile außerhalb der Reichweite von kleinen Kindern. Ihre Kinder könnten sie versehentlich verschlucken.
- Tun Sie folgende Dinge nicht:
 - Stehen oder Sitzen auf dem Gerät.
 - Stellen schwerer Gegenstände auf das Gerät.
 - Übereinanderstapeln von Geräten.
 - Ausüben übermäßiger Kraft auf Tasten, Schalter Ein-/Ausgangsanschlüsse usw.
 - Hängen an an die an der Wand installierte Soundbar.
 - Lehnen gegen die an der Wand installierte Soundbar.
 Nichtbeachtung kann Verletzungen oder Schäden am Gerät verursachen.
- Vermeiden Sie es, an den angeschlossenen Kabeln zu ziehen, um Verletzungen oder Beschädigungen der Einheit durch Herunterfallen zu vermeiden.

Batterie für die Fernbedienung

- Verwenden Sie niemals andere als die angegebenen Batterien. Nichtbeachtung kann einen Brand oder Verbrennungen verursachen oder ein Auslaufen von Flüssigkeit zur Folge haben, die eine Hautreizung verursachen kann.
- Legen Sie die Batterien nicht zusammen mit Metallgegenständen in eine Tasche oder ein anderes Behältnis. Die Batterie könnte kurzgeschlossen werden und platzen oder auslaufen und einen Brand oder Verletzungen verursachen.
- Vergewissern Sie sich stets, dass alle Batterien gemäß den Polaritätskennzeichnungen (+/-) eingelegt werden.

Bei Nichtbeachtung können Brände, Verbrennungen oder Selbstentzündung aufgrund auslaufender Flüssigkeit auftreten.

- Wenn die Batterien leer sind, oder wenn Sie die Einheit für längere Zeit nicht benutzen, nehmen Sie die Batterien aus der Fernbedienung heraus, um ein Auslaufen von Batterieflüssigkeit zu vermeiden.
- Vor dem Lagern oder Entsorgen von Batterien sollten Sie die Polflächen mit Klebeband oder anderem geeigneten Schutzmaterial isolieren. Durch gemischte Lagerung zusammen mit anderen Batterien oder Metallgegenständen kann es zu Bränden, Verbrennungen oder Entzünden durch ausgelaufene Batterieflüssigkeit kommen.



Achtung

Macht auf Punkte aufmerksam, die beachtet werden müssen um Produktausfälle, Schäden oder Störungen sowie Datenverlust zu vermeiden.

Stromversorgung

- Wird das Gerät voraussichtlich längere Zeit nicht benutzt, sollten Sie unbedingt das Netzkabel aus der Netzsteckdose ziehen. Auch wenn dieses Gerät mit [⏻] (Standby/Ein) ausgeschaltet wird, fließt weiterhin ein sehr geringer Strom.

Montage

- Verwenden Sie dieses Gerät nicht an Orten, die direkter Sonneneinstrahlung ausgesetzt sind, die sehr heiß werden, z. B. in Nähe einer Heizung, oder extrem kalt sind, oder die übermäßigem Staub oder Vibrationen ausgesetzt sind. Nichtbeachtung kann ein Verziehen des Bedienfelds des Geräts, Funktionsstörungen der Bauteile im Innern oder einen instabilen Betrieb verursachen.
- Wenn Sie eine Drahtlosfunktion verwenden, vermeiden Sie es, dieses Gerät in der Nähe metallischer Wände oder Tische, von Mikrowellengeräten oder anderen kabellosen Netzwerkgeräten aufzustellen. Solche Hindernisse können den Übertragungsbereich einschränken.

Anschlüsse & Verbindungen

- Wenn Sie externe Geräte anschließen, achten Sie darauf, die Anleitung für jedes Gerät zu lesen und die Geräte übereinstimmend mit den Anweisungen anzuschließen. Wenn Sie ein Gerät nicht gemäß den Anweisungen behandeln, können Fehlfunktionen auftreten.
- Schließen Sie dieses Gerät nicht an Geräten nach Industriestandard an. Dieses Gerät ist für den Anschluss an eine Endverbrauchereinheit ausgelegt. Der Anschluss an eine Einheit für gewerbliche Nutzung könnte Funktionsstörungen dieses Geräts verursachen.

Handhabung

- Stellen Sie keine Gegenstände aus Vinyl, Kunststoff oder Gummi auf diesem Gerät ab. Nichtbeachtung kann eine Verfärbung oder Verformung des Bedienfelds dieses Geräts verursachen.
- Wenn sich die Umgebungstemperatur drastisch ändert (z. B. während des Transports oder bei schneller Erwärmung/Abkühlung) und die Möglichkeit besteht, dass sich im Innern des Geräts Kondensation gebildet hat, lassen Sie es

mehrere Stunden lang ausgeschaltet, bis es trocken genug ist für den Betrieb. Die Verwendung des Geräts bei auftretender Kondensation kann Fehlfunktionen verursachen.

Wartung

- Benutzen Sie zur Reinigung des Geräts ein weiches, trockenes Tuch. Die Verwendung von Chemikalien wie Benzin oder Verdünnung, scharfer Reinigungsmittel oder chemischer Scheuertücher kann Verfärbungen oder Verformungen verursachen.

Lautsprecher

- Berühren Sie nicht die Lautsprecherchassis. Nichtbeachtung kann die Lautsprecherchassis beschädigen.

Entsorgung oder Übertragung

- Entsorgen Sie gebrauchte Batterien und Akkus gemäß den geltenden Bestimmungen.
- Wenn das Eigentum an diesem Produkt übertragen werden soll, legen Sie dieses Dokument und das mitgelieferte Zubehör dem Produkt bei.
- Befolgen Sie bei der Entsorgung dieses Produkts und seines Zubehörs die Vorschriften Ihrer örtlichen Behörde.

Verbraucherinformation zur Sammlung und Entsorgung alter Elektrogeräte und benutzter Batterien



Befinden sich diese Symbole auf den Produkten, der Verpackung und/oder beiliegenden Unterlagen, so sollten benutzte elektrische Geräte und Batterien nicht mit dem normalen Haushaltsabfall entsorgt werden. In



Übereinstimmung mit Ihren nationalen Bestimmungen bringen Sie alte Geräte und benutzte Batterien bitte zur fachgerechten Entsorgung, Wiederaufbereitung und Wiederverwendung zu den entsprechenden Sammelstellen.



Pb

Durch die fachgerechte Entsorgung der Elektrogeräte und Batterien helfen Sie, wertvolle Ressourcen zu schützen, und verhindern mögliche negative Auswirkungen auf die menschliche Gesundheit und die Umwelt, die andernfalls durch unsachgerechte Müllentsorgung auftreten könnten.

Für weitere Informationen zum Sammeln und Wiederaufbereiten alter Elektrogeräte und Batterien kontaktieren Sie bitte Ihre örtliche Stadt- oder Gemeindeverwaltung, Ihren Abfallentsorgungsdienst oder die Verkaufsstelle der Artikel.

Information für geschäftliche Anwender in der Europäischen Union:

Wenn Sie Elektrogeräte ausrangieren möchten, kontaktieren Sie bitte Ihren Händler oder Zulieferer für weitere Informationen.

Entsorgungsinformation für Länder außerhalb der Europäischen Union:

Diese Symbole gelten nur innerhalb der Europäischen Union. Wenn Sie solche Artikel ausrangieren möchten, kontaktieren Sie bitte Ihre örtlichen Behörden oder Ihren Händler und fragen Sie nach der sachgerechten Entsorgungsmethode.

Anmerkung zum Batteriesymbol (untere zwei Symbolbeispiele):

Dieses Symbol kann auch in Kombination mit einem chemischen Symbol verwendet werden. In diesem Fall entspricht dies den Anforderungen der EU-Batterierichtlinie zur Verwendung chemischer Stoffe.

(weee_battery_eu_de_02)

Informationen

Informationen über die Funktionen, die in diesem Gerät enthalten sind

- Es kann Luft aus dem Bassreflexventil ausgestoßen werden. (Siehe Abb. 2 auf Seite 5.) Dies stellt keine Fehlfunktion dar. Dies tritt insbesondere bei Musik mit starkem Bassanteil auf.

Über Drahtloskommunikationsfunktionen [Modelle für Großbritannien und Europa]

- Grundspezifikationen

Bluetooth

Funkfrequenz: 2402 MHz bis 2480 MHz

Maximale Ausgangsleistung (EIRP): 7,8 dBm (6,0 mW)

Kommunikation zwischen der Soundbar und dem Subwoofer

Funkfrequenz: 2405,35 MHz bis 2477,35 MHz

Maximale Ausgangsleistung (EIRP): 9,0 dBm (7,9 mW)

Über das Typenschild des Geräts

- Soundbar

Die Nummer des Modells, die Seriennummer, der Leistungsbedarf usw. sind auf dem Typenschild, das sich auf der Unterseite des Geräts befindet, oder in der Nähe davon angegeben. Sie sollten diese Seriennummer an der unten vorgesehenen Stelle eintragen und dieses Handbuch als dauerhaften Beleg für Ihren Kauf aufbewahren, um im Fall eines Diebstahls die Identifikation zu erleichtern.

Modell Nr.

Seriennr.

(bottom_de_01)

FÖRSIKTIGHETSÅTGÄRDER

LÄS NOGGRANT INNAN ANVÄNDNING. FÖLJ DESSA INSTRUKTIONER.

Försiktighetsåtgärderna nedan är till för att minska risken för skador på användaren och andra samt förhindra egendomsskador och hjälpa användaren att använda den här enheten korrekt och säkert. Följ dessa instruktioner.

När du har läst den här bruksanvisningen ska du spara den på ett säkert ställe där du kan hitta den när som helst.

- Se till att undersökningar och reparationer alltid utförs av den återförsäljare du köpte enheten av eller av kvalificerad Yamaha-servicepersonal.
- Yamaha kan inte hållas ansvarigt för person- eller produktskador som orsakas av felaktig användning eller modifiering av enheten.
- Den här produkten är avsedd för vanliga hem. Den ska inte användas i tillämpningar som kräver hög tillförlitlighet, till exempel för hantering av liv eller värdefulla tillgångar eller inom sjukvården.



VARNING

Det här avsnittet behandlar "risk för allvariga personskador eller dödsfall".

Om du upptäcker något onormalt

- Om något av följande inträffar ska du omedelbart stänga av strömbrytaren och dra ur nätkontakten.
 - Nätkabeln/kontakten är skadad.
 - En ovanlig lukt, ovanligt ljud eller rök kommer från enheten.
 - Främmande material eller vatten kommer in i enheten.
 - Ljudet försvinner under användning.
 - Enheten har en spricka eller skada.Fortsatt användning kan orsaka elektriska stötar, brand eller funktionsfel. Be den återförsäljare du köpte enheten av eller kvalificerad Yamaha-servicepersonal att omedelbart undersöka eller reparera enheten.

Strömförsörjning

- Gör ingenting som kan skada nätkabeln.
 - Placera den inte nära ett värmeelement.
 - Böj den inte kraftigt och ändra den inte.
 - Rispa den inte.
 - Placera den inte under något tungt föremål.Om nätkabeln används med synlig ledningstråd kan det orsaka elektriska stötar eller brand.
- Vidrör inte nätkontakten eller nätkabeln om det finns risk för blixtnedslag. Annars kan det orsaka elektriska stötar.
- Använd den här enheten med den nätspänning som anges på den. Om du ansluter till ett olämpligt vägguttag kan det orsaka brand, elektriska stötar eller funktionsfel.
- Se till att endast använda den medföljande nätadaptern och nätkabeln. Annars kan det orsaka brand, brännskador eller funktionsfel.
- Använd inte den medföljande nätadaptern och nätkabeln med andra enheter. Annars kan det orsaka brand, brännskador eller funktionsfel.

- Kontrollera nätkontakten regelbundet och avlägsna smuts och damm som eventuellt har samlats på den.
Annars kan det orsaka brand eller elektriska stötar.
- Se till att nätuttaget är lättåtkomligt när du installerar enheten.
Om det uppstår problem eller tekniska fel bör du omedelbart stänga av strömbrytaren och dra ut kontakten ur vägguttaget. Även om strömbrytaren är avstängd måste nätkabeln också dras ut från vägguttaget för att enheten ska vara helt bortkopplad från strömkällan.
- Om du inte ska använda enheten på ett tag ska du dra ut nätkontakten ur vägguttaget.
Annars kan det orsaka brand eller funktionsfel.

Installation

- Installera på det sätt som beskrivs i bruksanvisningen.
Om den faller eller välter kan det orsaka personskador eller andra skador.

Montera inte isär

- Försök inte ta isär eller modifiera den här enheten.
Annars kan det orsaka brand, elektriska stötar, personskador eller funktionsfel.

Varning för fukt och väta

- Utsätt inte enheten för regn och använd den inte i närheten av vatten eller i fuktig eller våt miljö. Ställ inte behållare (t.ex. vaser, flaskor eller glas) med vätska på den, eftersom vätska då kan spillas i öppningar eller på platser där vatten kan droppa. Om vätska, såsom vatten, kommer in i enheten kan det orsaka brand, elektriska stötar eller funktionsfel.
- Sätt aldrig in eller ta ut nätkontakten med våta händer. Hantera inte enheten med våta händer.
Annars kan det orsaka elektriska stötar eller funktionsfel.

Varning för eld

- Placera inga brinnande föremål eller öppna lågor nära enheten, eftersom de kan orsaka eldsvåda.

Hantering

- Var försiktig så att du inte tappar eller slår kraftigt på den här enheten.
Annars kan det orsaka elektriska stötar, brand eller funktionsfel.

Batteri till fjärrkontrollen



- **SVÄLJ INTE BATTERIER, RISK FÖR KEMISKA BRÄNNSKADOR**
Fjärrkontrollen som medföljer denna produkt innehåller ett knappbatteri. Om knappbatteriet sväljs kan det orsaka interna brännskador på bara 2 timmar och kan leda till död.
Håll nya och använda batterier borta från barn. Om batteriluckan inte stängs ordentligt, sluta använda produkten och håll den borta från barn.
Om du misstänker att batterier kan ha svalts eller placerade inuti någon del av kroppen, sök omedelbart medicinsk hjälp.
- Ta inte isär ett batteri.
Om du får batteriets innehåll på dina händer eller i ögonen kan det orsaka blindhet eller kemiska brännskador.
- Kassera inte ett batteri i öppen eld.
- Utsätt inte batteriet för tillstånd av extremt lågt lufttryck, kyla eller hetta (så som direkt solsken eller eld) eller stor mängd damm eller fuktighet.
Om du gör det kan batteriet spricka och orsaka brand eller personskador.
- Försök inte ladda upp batterier som inte är ämnade för uppladdning.
Laddning kan göra att batteriet spricker eller läcker, vilket kan orsaka blindhet, kemiska brännskador eller personskador.
- Undvik kontakt med batterivätskan om batterierna läcker.
Om batterivätska kommer i kontakt med ögon, mun eller hud bör du omedelbart skölja med vatten och kontakta läkare. Batterivätska är frätande och kan ge synskador och kemiska brännskador.

Trådlös enhet

- Använd inte enheten nära medicinska enheter eller i sjukvårdsanläggningar.
Radiovågor från den här enheten kan påverka medicinska elenheter.
- Ha minst 15 cm mellan ljudsystemet och personer som har pacemaker eller defibrillatorimplantat inopererade.
Radiovågor som strålar ut från den här enheten kan påverka medicinska elenheter, så som en inopererad pacemaker eller defibrillator.



FÖRSIKTIGHET

Det här avsnittet behandlar "risk för personskador".

Strömförsörjning

- Täck inte över nätadaptern med en trasa eller filt. Annars kan värme inneslutas och orsaka deformation eller brand.
- Använd inte ett vägguttag där nätkontakten sitter löst när den satts in. Annars kan det orsaka brand eller elektriska stötar eller brännskador.
- När nätkontakten kopplas los håll alltid i själva kontakten och inte i sladden. Om du drar i kablarna kan den skadas och orsaka elstötar eller brand.
- Sätt i nätkontakten ordentligt hela vägen in i vägguttaget. Om enheten används utan att kontakten är helt instoppad kan damm samlas på kontakten och orsaka brand eller brännskador.

Installation

- Placera inte enheten på en instabil plats där den kan falla eller välta och orsaka personskador.
- När denna enhet installeras, se till att inte blockera värme avledning.
 - Täck den inte med någon trasa.
 - Placera den inte på en matta.
 - Blockera inte enhetens ventilationshål (kylöppningar). (Se Bild 1 på sidan 4.)
 - Installera inte enheten på andra sätt än de indikerade.
 - Använd inte apparaten i trånga och dåligt ventilerade utrymnen. Annars kan värme inneslutas inuti enheten och orsaka brand eller funktionsfel. Se till att det finns tillräckligt med utrymme runt soundbaren: minst 10 cm ovanpå, 10 cm på sidorna och 10 cm på baksidan. Se till att det finns tillräckligt med utrymme runt subwoofern: minst 20 cm ovanpå, 20 cm på sidorna och 20 cm på baksidan.
- Installera inte enheten på platser där den kan komma i kontakt med frätande gaser eller salt luft eller platser som har hög rök eller ånga. Det kan leda till att enheten slutar fungera.
- Undvik att befinna dig nära enheten i samband med en naturkatastrof, t.ex. en jordbävning.

Förflytta dig snabbt från enheten till en säker plats eftersom enheten kan välta eller falla och orsaka personskador.

- Innan du flyttar enheten ska du se till att stänga av strömbrytaren och koppla bort alla anslutningskablar. Annars kan det orsaka skada på kablarna eller göra så att någon snubblar och faller.
- För korrekt montering av soundbaren på en vägg se till att få det gjort av försäljaren där du köpte enheten eller av kvalificerad servicepersonal. Om detta inte iakttas kan det orsaka att installeringen faller och resulterar i skada. Installering kräver specialkompetens och erfarenhet.

Hörselnedsättning

- Använd inte enheten med hög eller obehaglig volymnivå under en längre tid, eftersom detta kan medföra permanent hörselnedsättning. Kontakta läkare om du upplever hörsel försämring eller om det ringer i öronen.
- Stäng av strömmen till alla komponenter innan du ansluter enheten till annan utrustning. Annars riskerar du hörselnedsättning, elektriska stötar eller skador på utrustningen.

Underhåll

- Dra ut nätkabeln ur uttaget innan du rengör enheten. Annars kan det orsaka elektriska stötar.

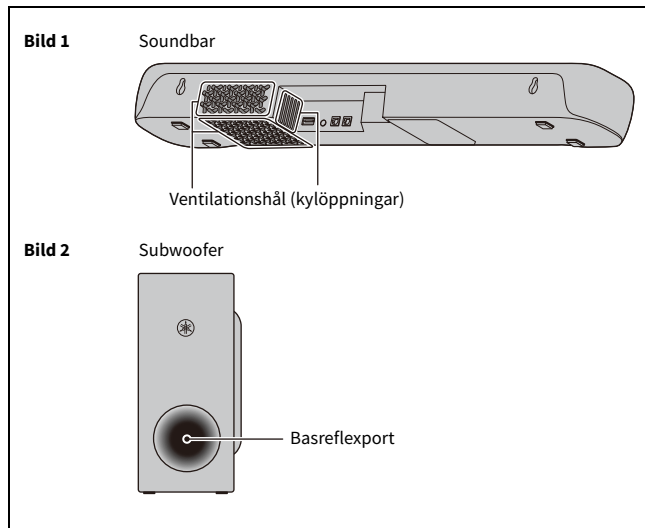
Hantering

- Stick inte in din hand eller dina fingrar i basreflexporten på subwoofern. (Se Bild 2 på sidan 4.) Annars kan det orsaka personskador.
- Stick inte in främmande material som metall eller papper i ventilationshålen (kylöppningarna) på soundbaren och basreflexporten på subwoofern. (Se bilderna 1 och 2 på sidan 4.)
- Hålla små delar utom räckhåll för barn. Dina barn kan svälja dem av misstag.
- Du får inte göra följande:
 - stå eller sitta på utrustningen.

- placera tunga föremål ovanpå utrustningen.
 - placera utrustningen i en stapel.
 - använd onödigt stor kraft på knappar, brytare, in- och utkontakter, osv.
 - hänga på soundbaren monterad på en vägg.
 - luta mot soundbaren monterad på en vägg.
- Om dessa inte följs kan det orsaka personskador eller skada på utrustningen.
- Undvik att dra i anslutna kablar för att förhindra personskador eller skador på enheten eftersom den kan falla.

Batteri till fjärrkontrollen

- Använd inte andra batterier än de angivna.
Det kan orsaka brand eller brännskador, eller resultera i vätskeläckage som kan orsaka hudinflammation.
- Du ska inte stoppa dem i en ficka eller väska eller bära eller förvara batterier tillsammans med metallföremål.
Batteriet kan kortslutas, spricka eller läcka och orsaka brand eller personskador.
- Se alltid till att alla batterier sätts in så att de överensstämmer med märkningen för +/-.
I annat fall kan det leda till brand, brännskador eller inflammation på grund av läckande batterivätska.
- När batterierna har tagit slut, om du inte tänker använda enheten under en längre tid ska du ta ut batterierna från fjärrkontrollen för att förhindra läckande batterivätska.
- När du förvarar eller kasserar batterier bör du isolera kontakterna med hjälp av tejp, eller någon annan typ av skydd.
Om du blandar dem med andra batterier eller metallföremål kan det orsaka brand, brännskador eller inflammation på grund av vätskeläckage.



Meddelande

Indikerar punkter du måste iaktta för att förhindra fel på produkten, skada eller felaktig funktion och dataförlust.

Strömförsörjning

- Om du inte ska använda enheten på ett tag ska du dra ut nätkontakten ur uttaget. Även om denna enhet slås av med [⏻] (Standby/På) finns fortfarande en svag ström.

Installation

- Använd inte den här enheten på en plats där den utsätts för direkt solljus, som blir extremt varm (t.ex. i närheten av ett värmeelement) eller extremt kall eller där den utsätts för mycket damm eller vibrationer. Annars kan det orsaka att enhetens panel deformeras, interna komponenter felar eller att driften blir instabil.
- Om du använder en trådlös funktion ska du undvika att installera den här enheten nära väggar eller skrivbord av metall, mikrovågsugnar eller andra trådlösa nätverksenheter. Hinder kan förkorta överföringsavståndet.

Anslutningar

- Om du ansluter externa enheter ska du läsa bruksanvisningen för varje enhet noga och ansluta dem i enlighet med instruktionerna. Om en enhet inte hanteras enligt instruktionerna kan det orsaka funktionsfel.
- Anslut inte den här enheten till industriella enheter. Den här enheten är konstruerad för anslutning till en enhet för konsumentbruk. Anslutning till en industriell enhet kan orsaka funktionsfel på denna enhet.

Hantering

- Lägg inga föremål av vinyl, plast eller gummi på den här enheten. Annars kan det orsaka missfärgning eller deformation av enhetens panel.
- Om omgivningstemperaturen förändras drastiskt (till exempel under transport av enheten eller vid snabb uppvärmning eller nedkylning) och det finns risk för att kondens kan ha bildats i enheten ska du låta enheten stå i flera timmar utan strömmen påslagen till den är helt torr och klar för användning. Användning av enheten medan det fortfarande finns kondens inuti den kan orsaka funktionsfel.

Underhåll

- Använd en torr och mjuk duk när du rengör enheten. Om du använder kemikalier som bensin eller tinner, rengöringsmedel eller kemiska rengöringsdukar kan enheten missfärgas eller deformeras.

Högtalare

- Vidrör inte högtalarenheterna. Annars kan det orsaka skada på högtalarenheterna.

Bortskaffande eller överföring

- Kassera alltid begagnade batterier enligt lokala föreskrifter.
- Om du planerar att överföra äganderätten till denna produkt ska du skicka med detta dokument och medföljande tillbehör tillsammans med produkten.
- Följ din lokala myndighets bestämmelser för kassering av denna produkt och dess tillbehör.

Användarinformation, beträffande insamling och dumpning av gammal utrustning och använda batterier



Pb

De symboler, som finns på produkterna, emballaget och/eller bifogade dokument talar om att de använda elektriska och elektroniska produkterna, samt batterierna, inte ska blandas med allmänt hushållsavfall. För rätt handhavande, återställande och återvinning av gamla produkter och gamla batterier, vänligen medtag dessa till lämpliga insamlingsplatser, i enlighet med din nationella lagstiftning.

Genom att slänga dessa produkter och batterier på rätt sätt, kommer du att hjälpa till att rädda värdefulla resurser och förhindra möjliga negativa effekter på mänsklig hälsa och miljö, vilka i annat fall skulle kunna uppstå, p.g.a. felaktig sophantering.

För mer information om insamling och återvinning av gamla produkter och batterier, vänligen kontakta din lokala kommun, ditt sophanteringsföretag eller inköpsstället för dina varor.

För företagare inom EU:

Om du vill göra dig av med elektrisk och elektronisk utrustning, vänligen kontakta din försäljare eller leverantör för mer information.

Information om sophantering i andra länder utanför EU:

Dessa symboler gäller endast inom EU. Om du vill slänga dessa föremål, vänligen kontakta dina lokala myndigheter eller försäljare och fråga efter det korrekta sättet att slänga dem.

Kommentar ang. batterisymbolen (de två nedersta symbolexemplen):

Denna symbol kan komma att användas i kombination med en kemisk symbol. I detta fall överensstämmer den med de krav, som har ställts genom direktiven för den aktuella kemikalien.

(weee_battery_eu_sv_02)

Information

Om funktioner som ingår i enheten

- Det kan blåsa luft ur basreflexporten. (Se Bild 2 på sidan 4.) Detta är helt i sin ordning. Det händer särskilt ofta när musik med kraftig bas spelas.

Angående trådlösa kommunikationsfunktioner [modeller för Storbritannien och Europa]

- Generella specifikationer

Bluetooth

Radiofrekvens: 2402 MHz till 2480 MHz

Maximal uteffekt (EIRP): 7,8 dBm (6,0 mW)

Kommunikation mellan soundbaren och subwoofer

Radiofrekvens: 2405,35 MHz till 2477,35 MHz

Maximal uteffekt (EIRP): 9,0 dBm (7,9 mW)

Angående enhetens namnskylt

- Soundbar

Modellnummer, serienummer, strömförsörjning osv. finns på eller i närheten av namnetiketten som sitter på enhetens undersida. Du bör anteckna serienumret i utrymmet nedan och förvara den här bruksanvisningen som ett bevis på ditt köp och för att underlätta identifiering i händelse av stöld.

Modellnummer

Serienummer

(bottom_sv_01)

PRECAUZIONI

LEGGERE ATTENTAMENTE PRIMA DELL'USO. ACCERTARSI DI SEGUIRE LE ISTRUZIONI RIPORTATE DI SEGUITO.

Le precauzioni elencate di seguito sono intese a prevenire i rischi di lesioni all'utente e a terzi, nonché a evitare danni alla proprietà, al fine di aiutare l'utente a utilizzare l'unità in modo appropriato e sicuro. Accertarsi di seguire le istruzioni.

Una volta letto il presente manuale, accertarsi di riporlo in un posto sicuro per eventuale riferimento futuro.

- Qualsiasi richiesta di ispezione o riparazione deve essere rivolta al concessionario presso il quale è stata acquistata l'unità o a un tecnico autorizzato Yamaha.
- Yamaha declina ogni responsabilità per lesioni personali o danni alle cose derivanti da un utilizzo non corretto dell'unità o da modifiche ad essa apportate.
- Questo prodotto è destinato al normale uso domestico. Non utilizzare per applicazioni che richiedono elevata affidabilità, come ad esempio la gestione di eventi dal vivo, strutture sanitarie o risorse di grande valore.



AVVERTENZA

Questo contenuto indica "rischio di lesioni gravi o di morte".

Anomalie

- Se si verifica una delle anomalie indicate di seguito, spegnere immediatamente l'unità e scollegare la spina di alimentazione.

- Il cavo/la spina di alimentazione è danneggiato.
- L'unità emette rumori insoliti, odori insoliti o fumo.
- All'interno dell'unità sono penetrati materiali estranei o acqua.
- Si verifica una scomparsa del suono durante l'utilizzo.
- L'unità presenta crepe o danni.

L'uso continuato dell'unità in presenza di tali condizioni potrebbe causare scosse elettriche, incendi o malfunzionamenti. Rivolgersi immediatamente al rivenditore presso il quale è stata acquistata l'unità o a un tecnico autorizzato Yamaha per l'ispezione o la riparazione.

Alimentazione

- Non eseguire operazioni che potrebbero danneggiare il cavo di alimentazione.
 - Non posizionarlo nelle vicinanze di una fonte di calore.
 - Non piegarlo eccessivamente o modificarlo.
 - Non graffiarlo o spellarlo.
 - Non posizionarlo sotto un oggetto pesante.
- L'utilizzo di un cavo di alimentazione con i fili esposti potrebbe causare scosse elettriche o un incendio.
- Non toccare la spina o il cavo di alimentazione se vi è il rischio di fulmini. La mancata osservanza di tale precauzione potrebbe causare scosse elettriche.
- Utilizzare l'unità con la tensione di alimentazione stampata sulla stessa. Il mancato collegamento di una presa CA appropriata potrebbe causare un incendio, scosse elettriche o malfunzionamenti.
- Accertarsi di utilizzare l'adattatore CA e il cavo di alimentazione forniti in dotazione. La mancata osservanza di tali precauzioni potrebbe causare un incendio, ustioni o malfunzionamenti.
- Non utilizzare l'adattatore CA e il cavo di alimentazione forniti in dotazione con altre unità. La mancata osservanza di tali precauzioni potrebbe causare un incendio, ustioni o malfunzionamenti.
- Controllare periodicamente la spina elettrica ed eventualmente rimuovere la sporcizia o la polvere accumulata. La mancata osservanza di tale precauzione potrebbe causare un incendio o scosse elettriche.
- Durante l'installazione dell'unità, assicurarsi che la presa CA utilizzata sia facilmente accessibile.

In caso di problemi o malfunzionamenti, spegnere immediatamente il dispositivo e scollegare la spina dalla presa di corrente CA. Anche quando l'interruttore di alimentazione è spento, a condizione che il cavo di alimentazione non sia staccato dalla presa CA, l'unità non si disconnette dalla sorgente di alimentazione.

- Se si prevede di non utilizzare l'unità per un periodo di tempo prolungato, scollegare il cavo di alimentazione dalla presa CA.

La mancata osservanza di tale precauzione potrebbe causare malfunzionamenti.

Installazione

- Procedere all'installazione seguendo le istruzioni fornite nel manuale. La caduta o il capovolgimento potrebbe causare lesioni o danni.

Non disassemblare

- Non disassemblare o modificare questa unità. La mancata osservanza di tale precauzione potrebbe causare scosse elettriche, lesioni o malfunzionamenti.

Esposizione all'acqua

- Non esporre l'unità alla pioggia, non usarla vicino all'acqua o in ambienti umidi o bagnati, non poggiare su di essa recipienti (come ad esempio vasi, bottiglie o bicchieri) contenenti liquidi che possano riversarsi in una delle aperture, né posizionarla in luoghi soggetti a infiltrazioni. Se un liquido quale l'acqua penetra nell'unità, potrebbe causare un incendio, scosse elettriche o malfunzionamenti.
- Non inserire o rimuovere la spina elettrica con le mani bagnate. Non maneggiare l'unità con mani umide. La mancata osservanza di tali precauzioni potrebbe causare scosse elettriche o malfunzionamenti.

Esposizione al fuoco

- Non posizionare oggetti accesi o fiamme vive in prossimità dell'unità per evitare il rischio di incendio.

Precauzioni di utilizzo

- Prestare attenzione a non lasciar cadere o a far subire urti violenti all'unità.

La mancata osservanza di tale precauzione potrebbe causare scosse elettriche, incendio o malfunzionamenti.

Batteria per il telecomando



- **NON INGERIRE LA BATTERIA, PERICOLO DI USTIONE CHIMICA**
Il telecomando fornito in dotazione con questo prodotto contiene una batteria a bottone. L'ingestione della batteria a bottone, in sole 2 ore, può causare gravi ustioni interne e anche la morte.
Conservare le batterie nuove e usate lontano dalla portata dei bambini. Se il vano batteria non si chiude saldamente, interrompere l'uso del prodotto e tenerlo lontano dalla portata dei bambini.
Se si sospetta che delle batterie possano essere state ingerite o introdotte in altre parti del corpo, consultare immediatamente un medico.

- Non disassemblare le batterie.
Se il contenuto della batteria viene a contatto con le mani o con gli occhi, potrebbe causare bruciature chimiche o cecità.
- Non smaltire le batterie nel fuoco.
- Non esporre la batteria a condizioni estreme di bassa pressione dell'aria, freddo o caldo (come alla luce solare diretta o al fuoco), né a polvere o umidità eccessive. Tale operazione potrebbe determinare lo scoppio delle batterie e causare un incendio o lesioni.
- Non ricaricare batterie non ricaricabili.
Se si tenta di ricaricare una batteria non ricaricabile, questa potrebbe esplodere o dare luogo a perdite, possibili cause di cecità, bruciature chimiche o lesioni.
- In caso di perdite, evitare il contatto con il liquido delle batterie.
Se il liquido delle batterie viene a contatto con gli occhi, la bocca o la cute, lavare immediatamente con acqua e rivolgersi a un medico. Il liquido delle batterie è corrosivo e potrebbe causare la perdita della vista o ustioni chimiche.

Unità wireless

- Non utilizzare questa unità nelle vicinanze di dispositivi medici o all'interno di strutture mediche.
Le onde radio emesse dall'unità possono interferire con i dispositivi elettromedicali.

- Non utilizzare questa unità a una distanza inferiore a 15 cm da persone con pacemaker o defibrillatore.
Le onde radio emesse dall'unità possono interferire con dispositivi elettromedicali quali pacemaker o defibrillatore.



ATTENZIONE

Questo contenuto indica "rischio di lesioni".

Alimentazione

- Non coprire né avvolgere l'adattatore CA con panni o coperte.
La mancata osservanza di tale precauzione potrebbe imprigionare il calore all'interno dell'unità, causando deformazioni della struttura o un incendio.
- Non utilizzare prese CA in cui la spina di alimentazione non si blocca saldamente in posizione.
La mancata osservanza di tale precauzione potrebbe causare scosse elettriche o bruciature.
- Quando si scollega la spina di alimentazione, afferrare sempre la spina stessa e non il cavo.
Tirando il cavo lo si potrebbe danneggiare e causare scosse elettriche o un incendio.
- Inserire saldamente la spina di alimentazione nella presa CA.
Se si utilizza l'unità senza aver fissato saldamente la spina alla presa, della polvere potrebbe depositarsi sulla presa stessa causando un incendio o bruciature.

Installazione

- Non collocare l'unità in posizione instabile, per evitare che cada accidentalmente e che possa causare lesioni.
- Nell'installare questa unità, fare in modo di non bloccare la dissipazione del calore.
 - Non coprire l'unità con un panno.
 - Non installare l'unità su un tappeto o sulla moquette.
 - Non bloccare i fori di ventilazione (feritoie) dell'unità. (Vedere la Fig. 1 a pagina 4.)
 - Non installare l'unità modi diversi da quanto indicato.
 - Non utilizzare l'unità in locali angusti e scarsamente ventilati.

La mancata osservanza di tali precauzioni potrebbe far sì che il calore resti imprigionato all'interno dell'unità, causando un incendio o malfunzionamenti. Accertare che vi sia lo spazio libero adeguato intorno alla sound bar: almeno 10 cm in alto, 10 cm ai lati e 10 cm sul lato posteriore. Accertare che vi sia lo spazio libero adeguato intorno al subwoofer: almeno 20 cm in alto, 20 cm ai lati e 20 cm sul lato posteriore.

- Non installare l'unità in luoghi in cui potrebbe venire a contatto con gas corrosivi o salsedine, oppure in luoghi con elevati livelli di fumo o vapore.
La mancata osservanza di tale precauzione potrebbe causare un malfunzionamento.
- Evitare di trovarsi nelle vicinanze dell'unità in caso di calamità quali ad esempio i terremoti.
Poiché l'unità potrebbe rovesciarsi o cadere e provocare lesioni, allontanarsi rapidamente dall'unità e ripararsi in un luogo sicuro.
- Prima di spostare l'unità, accertarsi di spegnerla e di scollegare tutti i cavi di collegamento.
La mancata osservanza di questa precauzione potrebbe danneggiare i cavi o causare la caduta dell'utente o di altre persone.
- Per il corretto montaggio della sound bar su una parete, affidare il lavoro al rivenditore presso il quale è stata acquistata l'unità o a un tecnico qualificato.
La mancata osservanza di questa precauzione può causare la caduta dell'unità e conseguenti lesioni. L'installazione richiede competenza ed esperienza speciali.

Danni all'udito

- Non utilizzare l'unità per periodi di tempo prolungati con il volume troppo alto, in quanto ciò potrebbe causare danni permanenti all'udito. Se si accusano disturbi uditivi come fischi o abbassamento dell'udito, rivolgersi a un medico.
- Prima di collegare l'unità ad altri dispositivi, spegnere tutti i dispositivi interessati.
La mancata osservanza di queste precauzioni potrebbe provocare scosse elettriche, danni all'udito o alle apparecchiature.

Manutenzione

- Prima di pulire l'unità, rimuovere la spina elettrica dalla presa CA.
La mancata osservanza di tale precauzione potrebbe causare scosse elettriche.

Precauzioni di utilizzo

- Non introdurre la mano o le dita nella porta bass reflex del subwoofer. (Vedere la Fig. 2 a pagina 4.)
La mancata osservanza di tale precauzione potrebbe causare lesioni.
- Non introdurre materiali estranei quali metallo o carta nei fori di ventilazione (feritoie di raffreddamento) della sound bar e della porta bass reflex del subwoofer. (Vedere le Figg. 1 e 2 a pagina 4.)
- Conservare le parti di piccole dimensioni lontano dalla portata dei bambini.
Un bambino potrebbe involontariamente ingerirle.
- Non eseguire le operazioni riportate di seguito:
 - Salire o sedersi sull'apparecchio.
 - Poggiare oggetti pesanti sull'apparecchio.
 - Impilare l'apparecchio.
 - Premere pulsanti, interruttori, terminali I/O e così via con forza eccessiva.
 - Appendersi alla sound bar installata a parete.
 - Appoggiarsi alla sound bar installata a parete.La mancata osservanza di questa precauzione potrebbe causare lesioni personali o danni all'apparecchio.
- Non tirare i cavi collegati per evitare lesioni personali o danni all'unità conseguenti a un'eventuale caduta della stessa.

Batteria per il telecomando

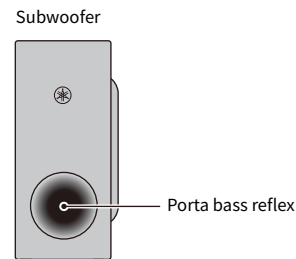
- Non utilizzare batterie diverse da quelle specificate.
Ciò potrebbe causare incendi o ustioni, o provocare la fuoriuscita di liquido che potrebbe causare infiammazione cutanea.
- Non mettere le batterie in tasca o in una borsa, né lasciarle a contatto con altri oggetti in metallo.
La batteria potrebbe andare in corto circuito, scoppiare, provocare fuoriuscita di liquidi o causare un incendio o lesioni.
- Assicurarsi che tutte le batterie siano inserite correttamente rispetto alle indicazioni di polarità +/-.
La mancata osservanza di tale precauzione potrebbe causare un incendio, bruciature o eritemi cutanei dovuti alla perdita di liquidi.
- In caso di esaurimento delle batterie, oppure se si prevede di non utilizzare l'unità per molto tempo, rimuovere le batterie dal telecomando per evitare possibili fuoriuscite di liquido della batteria.
- Per la conservazione o lo smaltimento delle batterie, isolare l'area dei terminali con nastro adesivo o altro tipo di protezione.

La presenza di altre batterie od oggetti metallici potrebbe causare un incendio, bruciature o eritemi cutanei dovuti alla fuoriuscita di liquido.

Fig. 1



Fig. 2



Avviso

Indica i punti che è necessario osservare per evitare guasti, danni o malfunzionamenti del prodotto e perdita di dati.

Alimentazione

- Se si prevede di non utilizzare l'unità per un periodo di tempo prolungato, scollegare il cavo di alimentazione dalla presa. Anche se l'unità è stata spenta con [⏻](Standby/accensione), una quantità minima di corrente rimane presente.

Installazione

- Non utilizzare l'unità in luoghi esposti alla luce solare diretta, a temperature troppo basse o troppo alte (ad es. in prossimità di un termosifone), oppure esposti a polveri o vibrazioni eccessive. La mancata osservanza di questa precauzione può causare la deformazione del pannello dell'unità, il malfunzionamento dei componenti interni o l'instabilità del funzionamento.
- Se si utilizza una funzione wireless, evitare di installare l'unità in prossimità di scrivanie o pareti metalliche, forni a microonde o altri dispositivi di rete wireless. Eventuali ostacoli potrebbero ridurre la distanza di trasmissione.

Collegamenti

- Se si collegano unità esterne, accertarsi di leggere a fondo il manuale di ciascuna unità e di collegarle seguendo le istruzioni. La mancata osservanza delle istruzioni potrebbe causare malfunzionamenti dell'unità.
- Non collegare l'unità a unità di tipo industriale. Questa unità è stata progettata per essere collegata a un'unità per uso domestico. Il collegamento a un'unità di tipo industriale potrebbe causare il malfunzionamento dell'unità.

Manipolazione

- Non collocare oggetti in vinile, plastica o gomma sull'unità. La mancata osservanza di questa precauzione potrebbe causare lo scolorimento o la deformazione del pannello dell'unità.
- Se la temperatura ambiente cambia drasticamente (ad esempio durante il trasporto dell'unità o in caso di riscaldamento o raffreddamento improvviso) e vi è il rischio che si sia formata della condensa nell'unità, non utilizzare l'unità né accendere l'alimentazione finché non è completamente asciutta. L'uso dell'unità al cui interno è presente della condensa può causare malfunzionamenti.

Manutenzione

- Pulire l'unità con un panno morbido e asciutto. L'utilizzo di agenti chimici quali benzina o un solvente, prodotti per la pulizia o panni trattati chimicamente potrebbero causare scolorimento o deformazione.

Altoparlanti

- Non toccare le unità altoparlante. La mancata osservanza di questa precauzione potrebbe danneggiare le unità altoparlante.

Smaltimento o trasferimento

- Smaltire le batterie esauste in conformità alle normative locali.
- Se si prevede di trasferire la proprietà del prodotto, includere questo documento e gli accessori in dotazione insieme al prodotto.
- Seguire le regole delle autorità locali per lo smaltimento di questo prodotto e dei suoi accessori.

Informazioni per gli utenti sulla raccolta e lo smaltimento di vecchia attrezzatura e batterie usate



Pb

Questi simboli sui prodotti, sull'imballaggio e/o sui documenti che li accompagnano, indicano che i prodotti elettrici ed elettronici e le batterie non devono essere mischiati con i rifiuti generici. Per il trattamento, il recupero e il riciclaggio appropriato di vecchi prodotti e batterie usate, si prega di portarli ai punti di raccolta designati, in accordo con la legislazione locale.

Smaltendo correttamente questi prodotti e batterie si potranno recuperare risorse preziose, oltre a prevenire potenziali effetti negativi sulla salute e l'ambiente che potrebbero sorgere a causa del trattamento improprio dei rifiuti.

Per ulteriori informazioni sulla raccolta e il riciclaggio di vecchi prodotti e batterie, si prega di contattare l'amministrazione comunale locale, il servizio di smaltimento dei rifiuti o il punto vendita dove sono stati acquistati gli articoli.

Per utenti imprenditori dell'Unione europea:

Se si desidera scartare attrezzatura elettrica ed elettronica, si prega di contattare il proprio rivenditore o il proprio fornitore per ulteriori informazioni.

Informazioni sullo smaltimento negli altri Paesi al di fuori dell'Unione europea:

Questi simboli sono validi solamente nell'Unione Europea; se si desidera scartare questi articoli, si prega di contattare le autorità locali o il rivenditore e richiedere informazioni sulla corretta modalità di smaltimento.

Note per il simbolo della batteria (in basso due esempi del simbolo):

È possibile che questo simbolo sia usato in combinazione con un simbolo chimico. Questo caso è conforme al requisito stabilito dalle Direttive UE sulle batterie relative agli elementi chimici contenuti.

(weee_battery_eu_it_02)

Informazioni

Informazioni sulle funzioni incluse nell'unità

- La porta reflex dei bassi potrebbe provocare spostamenti d'aria. (Vedere la Fig. 2 a pagina 4.) Non si tratta pertanto di un malfunzionamento. Questo fenomeno si verifica spesso durante la riproduzione di musica con bassi particolarmente potenti.

Informazioni sulle funzioni di comunicazione wireless [modelli per Regno Unito ed Europa]

- Dati tecnici di base

Bluetooth

Frequenza radio: Da 2402 MHz a 2480 MHz

Potenza di uscita massima (EIRP): 7,8 dBm (6,0 mW)

Comunicazione tra sound bar e subwoofer

Frequenza radio: Da 2405,35 MHz a 2477,35 MHz

Potenza di uscita massima (EIRP): 9,0 dBm (7,9 mW)

Informazioni sulla targhetta identificativa

- Sound bar

Il numero di modello e quello di serie, i requisiti di alimentazione e altre informazioni del prodotto si trovano sulla piastrina o vicino alla stessa. La piastrina del prodotto si trova nella parte inferiore dell'unità. Annotare il numero di serie nello spazio indicato di seguito e conservare il manuale come documento di comprovazione dell'acquisto; in tal modo, in caso di furto, l'identificazione sarà più semplice.

Numero del modello

Numero di serie

(bottom_it_01)

PRECAUCIONES

ANTES DE USAR EL PRODUCTO, ASEGÚRESE DE LEER DETENIDAMENTE Y SEGUIR ESTAS INSTRUCCIONES.

La finalidad de las precauciones siguientes es evitar lesiones al usuario y otras personas y daños materiales. Además, ayudarán al usuario a utilizar esta unidad de forma correcta y segura. Es importante seguir estas instrucciones.

Después de leer este manual, es importante guardarlo en un lugar seguro donde pueda consultarlo en cualquier momento.

- Asegúrese de solicitar las inspecciones o reparaciones al distribuidor a quien compró la unidad o al Servicio técnico de Yamaha.
- Yamaha no se responsabiliza por sus lesiones o los daños a sus productos debidos a uso inapropiado o modificaciones de la unidad.
- Este producto es para hogares ordinarios. No lo utilice para aplicaciones que requieran necesitan un alto nivel de fiabilidad, tales como la gestión de vidas humanas, atención sanitaria o activos de valor elevado.



ADVERTENCIA

Este contenido está relacionado con “riesgo de lesiones graves o muerte”.

Si observa cualquier anomalía

- Si surge cualquiera de las anomalías siguientes, apague inmediatamente la alimentación y extraiga el enchufe de alimentación.
 - El cable de alimentación está deteriorado.
 - La unidad emite humo, sonidos u olores no habituales.
 - Algún material extraño o agua ha caído en el interior de la unidad.

- Se produce una pérdida repentina de sonido durante el uso.
 - La unidad presenta alguna grieta u otro signo de deterioro.
- Si continúa usando la unidad, existe riesgo de descarga eléctrica, incendio o avería. Solicite inmediatamente una inspección o reparación al distribuidor a quien compró la unidad o al Servicio técnico de Yamaha.

Alimentación eléctrica

- No realice ninguna actividad que pueda deteriorar el cable de alimentación.
 - No lo coloque cerca de una estufa o radiador.
 - No lo doble excesivamente ni lo modifique.
 - No lo raye.
 - No lo coloque bajo ningún objeto pesado.
- Usar el cable de alimentación con el cable pelado puede provocar una descarga eléctrica o un incendio.
- No toque el enchufe ni el cable de alimentación durante una tormenta eléctrica. De no seguirse estas instrucciones, existe riesgo de descargas eléctricas.
- Use esta unidad con la tensión de alimentación que está impresa en ella. Si no se conecta a una toma de corriente de CA apropiada, existe riesgo de incendio, descargas eléctricas o averías.
- Asegúrese de usar el adaptador de CA/cable de alimentación suministrado. De no seguirse estas instrucciones, existe riesgo de incendio, quemaduras o averías.
- Nunca use el adaptador de CA y el cable de alimentación suministrados en otras unidades. De no seguirse estas instrucciones, existe riesgo de incendio, quemaduras o averías.
- Compruebe periódicamente el enchufe y quite la suciedad o el polvo que pudiera haberse acumulado en él. De no seguirse estas instrucciones, existe riesgo de incendio o descargas eléctricas.
- Cuando instale la unidad, asegúrese de que se puede acceder fácilmente a la toma de CA que utilice. Si se produjera algún problema o funcionamiento defectuoso, apague el interruptor de alimentación y desconecte el enchufe de la toma de CA. Incluso cuando el interruptor de alimentación esté apagado, si el cable de alimentación no está desenchufado de la toma de CA de la pared, la unidad no se desconectará de la alimentación.
- Si no va a utilizar la unidad durante un período prolongado, asegúrese de extraer el enchufe de alimentación de la toma de corriente de CA. De no seguirse estas instrucciones, existe riesgo de incendio o averías.

Instalación

- Realice la instalación de la forma que se indica en el manual. Una caída puede provocar lesiones o daños.

No desmonte la unidad

- No desmonte ni modifique nunca esta unidad. De no seguirse estas instrucciones, existe riesgo de incendio, descargas eléctricas, lesiones o averías.

Advertencia sobre el agua

- No exponga la unidad a la lluvia, ni la use cerca del agua o en lugares donde haya mucha humedad o donde pueda gotear agua, ni le ponga encima recipientes (como jarrones, botellas o vasos) que contengan líquido, ya que puede derramarse y penetrar en el interior del aparato. Si cualquier líquido, como el agua, penetra en la unidad, existe riesgo de incendio, descargas eléctricas o averías.
- Nunca enchufe o desenchufe un cable eléctrico con las manos mojadas. No manipule esta unidad con las manos húmedas. De no seguirse estas instrucciones, existe riesgo de descargas eléctricas o averías.

Advertencia sobre el contacto con fuego

- No coloque objetos ardientes ni llamas abiertas cerca de la unidad, ya que existe riesgo de incendio.

Precauciones de uso

- Asegúrese de no dejar caer esta unidad y de que no reciba ningún impacto fuerte. De no seguirse estas instrucciones, existe riesgo de descargas eléctricas, incendio o averías.

Pila para el mando a distancia



- **NO INGERIR LA PILA, EXISTE RIESGO DE QUEMADURAS QUÍMICAS**
El mando a distancia suministrado con este producto incluye una pila de botón. Si se traga, esta pila puede provocar diversas quemaduras internas en tan solo 2 horas e incluso la muerte. Mantenga las pilas nuevas y usadas lejos del alcance de los niños. Si el compartimento de la pila no se cierra de forma segura, deje de usar el producto y manténgalo lejos del alcance de los niños. Si cree que las pilas se han podido tragar o se encuentran en el interior de alguna parte del cuerpo, solicite atención médica de inmediato.
- No desmonte nunca una pila. Si el contenido de la pila entra en contacto con sus manos u ojos, puede sufrir ceguera o quemaduras químicas.
- No tire una pila al fuego.
- No someta la pila a condiciones de presión de aire extremadamente baja, frío o calor (como bajo la luz solar directa o un fuego), ni tampoco a condiciones de excesivo polvo o humedad. Si lo hiciera, la pila podría explotar con el consiguiente riesgo de incendio o lesiones.
- No intente recargar pilas que no sean recargables. El proceso de carga podría hacerlas explotar o provocar una fuga, con el consiguiente riesgo de sufrir ceguera, quemaduras químicas o lesiones.
- Si las pilas tienen alguna fuga, evite el contacto con el fluido derramado. Si el fluido de la pila entra en contacto con los ojos, la boca o la piel, lávese inmediatamente con agua y consulte a un médico. El fluido de las pilas es corrosivo y puede causar pérdida de visión o quemaduras químicas.

Unidad inalámbrica

- No utilice esta unidad cerca de dispositivos médicos ni dentro de centros sanitarios. Las ondas de radiofrecuencia de esta unidad pueden afectar a los dispositivos de electromedicina.
- No utilice esta unidad a menos de 15 cm de personas que lleven implantado un marcapasos o un desfibrilador. Las ondas de radiofrecuencia que emite esta unidad pueden afectar a los dispositivos de electromedicina implantados, como marcapasos o desfibriladores.



ATENCIÓN

Este contenido está relacionado con “riesgo de lesiones”.

Alimentación eléctrica

- No cubra ni envuelva el adaptador de CA con un paño o manta. De no seguirse estas instrucciones, el calor quedaría atrapado con el consiguiente riesgo de deformación de la carcasa o incendio.
- No utilice una toma de corriente de CA que presente holgura al insertar el enchufe de alimentación.
De no seguirse estas instrucciones, existe riesgo de incendio, descargas eléctricas o quemaduras.
- Al desconectar el enchufe de alimentación, sujételo en todo momento por el propio enchufe, nunca por el cable.
Tirar del cable puede deteriorarlo, con el consiguiente riesgo de descargas eléctricas o incendio.
- Inserte el enchufe de alimentación firmemente hasta el fondo en la toma de corriente de CA.
Usar la unidad sin estar debidamente enchufada puede provocar acumulación de polvo en las patillas, con el consiguiente riesgo de incendio o quemaduras.

Instalación

- No coloque la unidad sobre superficies inestables, donde pueda caerse o volcarse por accidente y provocar lesiones.
- Al instalar esta unidad, colóquela en un lugar donde se permita una buena disipación del calor.
 - No tape el dispositivo con ningún tipo de tela.
 - No instale el dispositivo sobre moquetas o alfombras.
 - No bloquee los orificios de ventilación de la unidad (ranuras de refrigeración). (Consulte la ilustración 1 de la página 4.)
 - No instale la unidad de otra forma que no sea la indicada.
 - No utilice el dispositivo en un lugar demasiado pequeño o mal ventilado.

De no seguirse las instrucciones anteriores, el calor quedaría atrapado en el interior de la unidad, con el consiguiente riesgo de incendio o averías. Asegúrese de que haya espacio suficiente alrededor de la barra de sonido: al menos 10 cm en la parte superior, 10 cm en los laterales y 10 cm en la parte trasera. Asegúrese de que haya espacio suficiente alrededor del altavoz de subgraves: al menos 20 cm en la parte superior, 20 cm en los laterales y 20 cm en la parte trasera.

- No instale la unidad en lugares donde pueda entrar en contacto con gases corrosivos o aire salobre o lugares con exceso de humo o vapor. Si ocurriera, podría dar lugar a un funcionamiento defectuoso.
- Procure no estar cerca de la unidad si se produce algún desastre natural como, por ejemplo, un terremoto.
Dado que la unidad podría volcar o caerse y causar lesiones, aléjese de ella rápidamente y vaya a un lugar seguro.
- Antes de mover esta unidad, asegúrese de desconectar el interruptor de alimentación y todos los cables de conexión.
De no seguirse estas instrucciones, existe riesgo de deterioro de los cables o de que usted u otra persona tropiecen con ellos y se caigan.
- Para que el montaje de la barra de sonido en la pared se realice correctamente, asegúrese de encargárselo al distribuidor en el que compró la unidad o a personal de servicio cualificado.
No cumplir esta indicación puede provocar que la instalación se caiga y provoque lesiones físicas. La instalación requiere los conocimientos y la experiencia adecuados.

Pérdida auditiva

- No utilice la unidad a un volumen alto o incómodo durante un período prolongado, ya que podría provocar una pérdida de audición permanente. Si experimenta alguna pérdida auditiva u oye pitidos, consulte a un médico.
- Antes de conectar la unidad a otros dispositivos, desconecte la alimentación de todos ellos.
De no seguirse estas instrucciones, existe riesgo de pérdida de audición, descarga eléctrica o daños en el dispositivo.

Mantenimiento

- Retire el enchufe de alimentación de la toma de CA antes de limpiar la unidad.
De no seguirse estas instrucciones, existe riesgo de descargas eléctricas.

Precauciones de uso

- No introduzca las manos ni los dedos en el puerto de reflexión de graves del altavoz de subgraves. (Consulte la ilustración 2 de la página 4.)
De no seguirse estas instrucciones, existe riesgo de lesiones.
- No introduzca materiales extraños, tales como metal o papel, en los orificios de ventilación (ranuras de refrigeración) de la barra de sonido y el puerto de reflexión de graves del altavoz de subgraves. (Consulte las ilustraciones 1 y 2 de la página 4.)
- Mantenga las piezas pequeñas fuera del alcance de los niños.
Sus niños podrían tragárselas accidentalmente.
- No haga lo siguiente:
 - subirse o sentarse en el equipo.
 - poner objetos pesados encima del equipo.
 - apilar el equipo.
 - aplicar fuerza más allá de lo razonable a los botones, interruptores, terminales de entrada/salida, etc.
 - colgar la barra de sonido instalada en una pared.
 - apoyarse sobre la barra de sonido instalada en una pared.De no seguirse estas instrucciones, existe riesgo de lesiones o daños en el equipo.
- No tire de los cables conectados para evitar lesiones o daños en la unidad debidos a caídas.

Pila para el mando a distancia

- No utilice pilas diferentes de las especificadas.
Hacerlo puede provocar incendios o quemaduras, u ocasionar fugas de fluido que pueden provocar inflamaciones cutáneas.
- No introduzca las pilas en un bolsillo o una bolsa, ni las transporte o almacene mezcladas con trozos de metal.
La pila puede cortocircuitarse, explotar o perder fluido, con el consiguiente riesgo de incendio o lesiones.
- Asegúrese siempre de que todas las pilas están colocadas conforme a las marcas de polaridad +/-.
De no seguirse estas instrucciones, existe riesgo de incendio, quemaduras o inflamación debidos a fugas de fluidos.
- Cuando se agoten las pilas o la unidad no se vaya a usar durante mucho tiempo, quite las pilas del mando a distancia para prevenir posibles fugas del fluido de las pilas.
- Al guardar o desechar pilas, aisle la zona de los terminales con cinta aislante o con otro tipo de protección.

Si se mezclan con otras pilas o con objetos metálicos, existe riesgo de incendio, quemaduras o inflamación a causa del fluido.

Ilustración 1 Barra de sonido

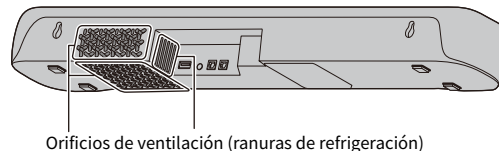
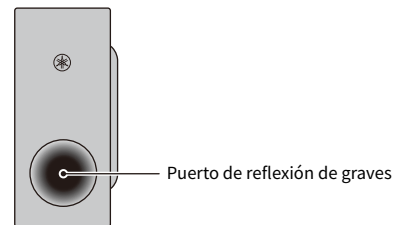


Ilustración 2 Altavoz de subgraves



Aviso

Indica los puntos que debe observar para evitar que se produzcan fallos en el producto, un funcionamiento incorrecto, daños y pérdida de datos.

Alimentación eléctrica

- Si no va a utilizar la unidad durante un período prolongado, asegúrese de extraer el enchufe de alimentación de la toma de corriente. Aunque pulse [⏻] (En espera/Activado) para apagar esta unidad, seguirá fluyendo una corriente mínima.

Instalación

- No use esta unidad en una ubicación que esté expuesta a la luz solar directa, que alcance temperaturas demasiado altas (por ejemplo, al lado de una estufa) o bajas ni que esté sometida a cantidades excesivas de polvo o vibraciones. De no seguirse estas instrucciones, existe riesgo de que el panel de la unidad se deforme, de que sus componentes internos se averíen o de que el funcionamiento sea inestable.
- Si usa una función inalámbrica, evite instalar esta unidad cerca de tabiques o mesas metálicos, hornos de microondas y otros dispositivos de red inalámbrica. Las obstrucciones pueden acortar el alcance de la transmisión.

Conexiones

- Si va a conectar unidades externas, asegúrese de leer detenidamente el manual de cada una de ellas y de conectarlas de acuerdo con las instrucciones. Manipular la unidad sin atenderse a las instrucciones puede provocar averías.
- No conecte esta unidad a unidades industriales. Esta unidad se ha diseñado para conectarla a una unidad de uso personal. Conectarla a una unidad industrial puede provocar que esta unidad funcione incorrectamente.

Manipulación

- No coloque productos de vinilo, plástico o caucho sobre esta unidad. De no seguirse estas instrucciones, el panel de la unidad podría decolorarse o deformarse.
- Si la temperatura ambiente cambia drásticamente (por ejemplo, durante el transporte o al aplicar rápidamente la calefacción o el aire acondicionado) y existe la posibilidad de que se haya formado condensación en el interior de la unidad, déjela varias horas sin encenderla hasta que esté totalmente seca antes de usarla. Usar la unidad mientras contiene condensación puede producir averías.

Mantenimiento

- Para limpiar la unidad, utilice un paño suave y seco. No use productos químicos como bencina, disolventes, detergentes o bayetas impregnadas de productos químicos, pues podrían provocar decoloraciones o deformaciones.

Altavoces

- No toque las unidades de altavoz. De no seguirse estas instrucciones, existe riesgo de que se produzcan daños en las unidades de altavoz.

Deshacerse de este producto o transferirlo

- Asegúrese de desechar las pilas usadas de acuerdo con la normativa local.
- Si tiene previsto transferir la propiedad de este producto, incluya con el producto este documento y los accesorios incluidos.
- Siga las normas impuestas por la autoridad local para deshacerse de este producto y sus accesorios.

Información para usuarios sobre la recogida y eliminación de los equipos antiguos y las pilas usadas



Estos símbolos en los productos, embalajes y documentos anexos significan que los productos eléctricos y electrónicos y sus pilas no deben mezclarse con los desperdicios domésticos normales. Para el tratamiento, recuperación y reciclaje apropiados de los productos antiguos y las pilas usadas, llévelos a puntos de reciclaje correspondientes, de acuerdo con la legislación nacional.



Pb

Al deshacerse de estos productos y pilas de forma correcta, ayudará a ahorrar recursos valiosos y a impedir los posibles efectos desfavorables en la salud humana y en el entorno que de otro modo se producirían si se trataran los desperdicios de modo inapropiado.

Para obtener más información acerca de la recogida y el reciclaje de los productos antiguos y las pilas, póngase en contacto con las autoridades locales, con el servicio de eliminación de basuras o con el punto de venta donde adquirió los artículos.

Para los usuarios empresariales de la Unión Europea:

Si desea desechar equipos eléctricos y electrónicos, póngase en contacto con su vendedor o proveedor para obtener más información.

Información sobre la eliminación en otros países fuera de la Unión Europea:

Estos símbolos solamente son válidos en la Unión Europea. Si desea desechar estos artículos, póngase en contacto con las autoridades locales o con el vendedor y pregúnteles el método correcto.

Nota sobre el símbolo de pila (dos ejemplos de símbolos en la parte inferior):

Este símbolo se puede utilizar en combinación con un símbolo químico. En este caso, cumple el requisito establecido por la Directiva de la UE sobre pilas correspondiente a la sustancia química utilizada.

(weee_battery_eu_es_02)

Información

Acerca de las funciones incluidas en la unidad

- Puede que se expulse aire por el puerto de reflexión de graves. (Consulte la ilustración 2 de la página 4.) No se trata de una avería. Ocurre con frecuencia cuando se emite música con gran intensidad de graves.

Acerca de las funciones de comunicación inalámbrica [modelos del Reino Unido y Europa]

- Especificaciones básicas

Bluetooth

Frecuencia de radio: De 2402 MHz a 2480 MHz

Potencia de salida máxima (EIRP): 7,8 dBm (6,0 mW)

Comunicación entre la barra de sonido y el altavoz de subgraves

Frecuencia de radio: De 2405,35 MHz a 2477,35 MHz

Potencia de salida máxima (EIRP): 9,0 dBm (7,9 mW)

Acerca de la placa de especificaciones de la unidad

- Barra de sonido

El número de modelo, el número de serie, los requisitos de alimentación, etc. pueden encontrarse en la placa de identificación o cerca de ella. Esta placa se encuentra en la parte inferior de la unidad. Debe anotar dicho número en el espacio proporcionado a continuación y conservar este manual como comprobante permanente de su compra para facilitar la identificación en caso de robo.

N.º de modelo

N.º de serie

(bottom_es_01)

PRECAUÇÕES

LEIA COM ATENÇÃO ANTES DE USAR. SIGA AS INSTRUÇÕES ABAIXO.

As precauções indicadas abaixo são para evitar o risco de danos ao usuário e a outras pessoas, prevenir danos à propriedade e ajudar o usuário a usar a unidade de forma correta e segura. Siga as instruções abaixo.

Depois de ler o manual, guarde-o em um local seguro para uso futuro quando necessário.

- Certifique-se de solicitar inspeções ou reparos do fornecedor que vendeu a unidade ou do Serviço Técnico Yamaha.
- A Yamaha não pode ser responsabilizada por ferimentos ou danos aos produtos causados pelo uso indevido ou por modificações feitas na unidade.
- Este produto se destina a residências comuns. Não use para aplicações que exijam alta confiabilidade, como gerenciar vidas, tratamento médico ou ativos de alto valor.



ADVERTÊNCIAS

Este conteúdo indica que há "risco de lesão grave ou de morte".

Se você observar qualquer anormalidade

- Caso ocorra alguma das anormalidades descritas abaixo, desligue imediatamente a alimentação e desconecte o plugue de alimentação.
 - O plugue/cabo de alimentação estiver danificado.
 - Um cheiro anormal, ruído anormal ou fumaça forem emitidos da unidade.
 - Materiais estranhos ou água entrarem na unidade.
 - Ocorrer uma perda de som durante o uso.

- A unidade tiver rachaduras ou danos.
Continuar a usar pode causar um incêndio, choque elétrico ou mau funcionamento. Solicite imediatamente uma inspeção ou reparo do fornecedor que vendeu a unidade ou do Serviço Técnico Yamaha.

Fornecimento de energia

- Não faça algo que possa causar danos ao cabo de alimentação.
 - Não o coloque próximo a um aquecedor.
 - Não o dobre excessivamente nem o altere.
 - Não o arranhe.
 - Não o coloque sob um objeto pesado.Usar o cabo de alimentação com o núcleo do cabo exposto pode causar choque elétrico ou incêndio.
- Não toque no plugue de alimentação ou no cabo quando estiver relampejando. Se você não tomar esses cuidados, choques elétricos poderão ocorrer.
- Use a unidade com a tensão da fonte de alimentação que estiver impressa nela. Se não conectá-la a uma tomada de corrente alternada, isso poderá causar incêndio, choques elétricos ou mau funcionamento.
- Certifique-se de usar o adaptador CA e o cabo de alimentação fornecidos. Se você não tomar esses cuidados, isso poderá causar incêndio, queimaduras ou mau funcionamento.
- Não use o adaptador CA e o cabo de alimentação fornecidos para outras unidades. Se você não tomar esses cuidados, isso poderá causar incêndio, queimaduras ou mau funcionamento.
- Verifique o plugue elétrico periodicamente e remova a sujeira e o pó que podem se acumular nele.
Se você não tomar esses cuidados, incêndio ou choques elétricos poderão ocorrer.
- Ao instalar a unidade, verifique se a tomada de corrente alternada (CA) pode ser acessada com facilidade.
Se houver algum problema ou defeito, desligue o aparelho imediatamente e desconecte o plugue da tomada de CA. Mesmo quando a chave liga/desliga estiver na posição desligada, se o cabo de alimentação não estiver desconectado da tomada de CA, a unidade não estará desconectada da fonte de energia.
- Se não for usar a unidade por um longo período de tempo, desconecte o plugue de alimentação da tomada de CA.
Se você não tomar esses cuidados, poderá ocorrer um incêndio ou mau funcionamento.

Instalação

- Instale da maneira instruída no manual.
Se a unidade cair ou for derrubada, poderão ocorrer ferimentos ou danos.

Não desmonte

- Não desmonte nem modifique a unidade.
Se você não tomar esses cuidados, incêndio, choques elétricos, lesões ou mau funcionamento poderão ocorrer.

Advertência sobre água

- Não exponha a unidade à chuva, não a use perto de água nem em locais úmidos, e não coloque sobre ela recipientes (como jarros, garrafas ou copos) contendo líquidos que possam ser derramados em suas aberturas ou locais onde possa cair água. Se algum líquido, como água, entrar na unidade, um incêndio, choques elétricos ou mau funcionamento poderão ocorrer.
- Nunca conecte nem desconecte o plugue elétrico com as mãos molhadas. Não manuseie a unidade com as mãos molhadas.
Se você não tomar esses cuidados, choques elétricos ou mau funcionamento poderão ocorrer.

Advertência sobre incêndio

- Não coloque itens incandescentes ou chamas acesas próximos à unidade, porque eles podem causar um incêndio.

Cuidado no manuseio

- Não derrube nem aplique força excessiva à unidade.
Se você não tomar esses cuidados, incêndio, choques elétricos ou mau funcionamento poderão ocorrer.

Pilha para o controle remoto



- **NÃO INGIRA UMA PILHA, EXISTE PERIGO DE QUEIMADURA QUÍMICA**
O controle remoto fornecido com este produto contém uma pilha tipo moeda/botão. Se a pilha tipo moeda/botão for engolida, isso pode causar queimaduras internas graves em apenas 2 horas e pode provocar a morte.
Mantenha pilhas novas e usadas longe do alcance de crianças. Se o compartimento das pilhas não fechar com firmeza, pare de usar o produto e mantenha-o longe do alcance de crianças.
Se você achar que as pilhas possam ter sido engolidas ou colocadas dentro de uma parte do corpo, procure atendimento médico imediatamente.
- Não desmonte uma pilha.
O contato do conteúdo da pilha com as mãos ou os olhos pode causar cegueira ou queimaduras por produtos químicos.
- Não jogue uma pilha usada no fogo.
- Não exponha a pilha a condições extremas de pressão do ar baixa, frio ou calor (como sob a luz solar direta ou um fogo), ou de poeira ou umidade excessiva. Isso pode causar a explosão da pilha, resultando em incêndio ou lesões.
- Não tente recarregar pilhas que não foram fabricadas para recarga.
Fazer isso pode resultar em explosão ou vazamento das pilhas, podendo causar cegueira, lesões ou queimaduras por produtos químicos.
- Em caso de vazamento das pilhas, evite o contato com o fluido.
Em caso de contato do fluido da pilha com os olhos, a boca ou a pele, lave imediatamente com água e procure um médico. O fluido da pilha é corrosivo e pode causar perda da visão ou queimaduras por produtos químicos.

Unidade sem fio

- Não use a unidade perto de dispositivos médicos ou dentro de instalações médicas.
As ondas de rádio desta unidade podem afetar dispositivos eletromédicos.
- Não use a unidade a menos de 15 cm de distância de pessoas com um marca-passo cardíaco ou um implante desfibrilador.
As ondas de rádio que emanam desta unidade podem afetar dispositivos eletromédicos, como um marca-passo cardíaco ou um implante desfibrilador.



CUIDADO

Este conteúdo indica que há "risco de lesão".

Fornecimento de energia

- Não cubra nem enrole o adaptador CA com um pano ou cobertor. Se você não tomar esses cuidados, poderá haver retenção de calor na unidade, causando deformação no caso de um incêndio.
- Não use uma tomada de CA em que o plugue de alimentação fique frouxo. Se você não tomar esses cuidados, incêndio, choques elétricos ou queimaduras poderão ocorrer.
- Ao desconectar o plugue de alimentação, sempre segure o próprio plugue e não o cabo. Puxar pelo cabo pode danificá-lo e causar choque elétrico ou incêndio.
- Insira o plugue de alimentação totalmente e de maneira firme na tomada de CA. Usar a unidade com o plugue não inserido totalmente poderá causar o acúmulo de poeira no plugue, resultando em incêndio ou queimaduras.

Instalação

- Não deixe a unidade em posições instáveis de onde ela possa sofrer quedas ou ser derrubada acidentalmente e causar lesões.
 - Ao instalar esta unidade, não obstrua a dissipação térmica.
 - Não a cubra com nenhum pano.
 - Não a instale sobre um carpete ou tapete.
 - Não bloqueie os orifícios de ventilação da unidade (aberturas de resfriamento). (Consulte a Fig. 1 na página 4.)
 - Não instale a unidade de maneiras diferentes das indicadas aqui.
 - Não use o dispositivo em um local fechado e mal ventilado.
- Se você não tomar os cuidados acima, poderá haver retenção de calor dentro da unidade, resultando em incêndio ou mau funcionamento. Certifique-se de que haja espaço suficiente ao redor da barra de som: pelo menos 10 cm na parte superior, 10 cm nos lados, e 10 cm na parte traseira. Certifique-se de que haja espaço suficiente ao redor do subwoofer: pelo menos 20 cm na parte superior, 20 cm nos lados, e 20 cm na parte traseira.

- Não instale a unidade em locais onde ela possa entrar em contato com gases corrosivos ou maresia ou em locais com excesso de fumaça ou vapor. Isso pode resultar em mau funcionamento.
- Evite ficar perto da unidade durante um desastre, como um terremoto. Como a unidade pode virar ou cair e causar ferimentos, afaste-se dela rapidamente e vá para um local seguro.
- Antes de movimentar a unidade, desligue a chave liga/desliga e desconecte todos os cabos de conexão. Se você não tomar esses cuidados, os cabos poderão ficar danificados, ou você (ou outra pessoa) poderá tropeçar neles e cair.
- Para a montagem adequada da barra de som em uma parede, certifique-se de solicitar a montagem ao revendedor de onde comprou a unidade ou a um técnico qualificado. Deixar de observar isso pode causar o desmoronamento da instalação, resultando em ferimentos ou danos. A instalação exige habilidades especiais e experiência.

Perda da audição

- Não use a unidade por um longo período de tempo em um nível de volume alto ou desconfortável, pois isso pode causar perda permanente da audição. Se você apresentar algum problema de audição ou zumbido no ouvido, procure um médico.
- Antes de conectar a unidade a outros aparelhos, desligue todos os dispositivos. Deixar de fazer isso pode causar perda de audição, choque elétrico ou dano ao dispositivo.

Manutenção

- Desconecte o plugue de alimentação da tomada de corrente alternada (CA) antes de limpar a unidade. Se você não tomar esses cuidados, choques elétricos poderão ocorrer.

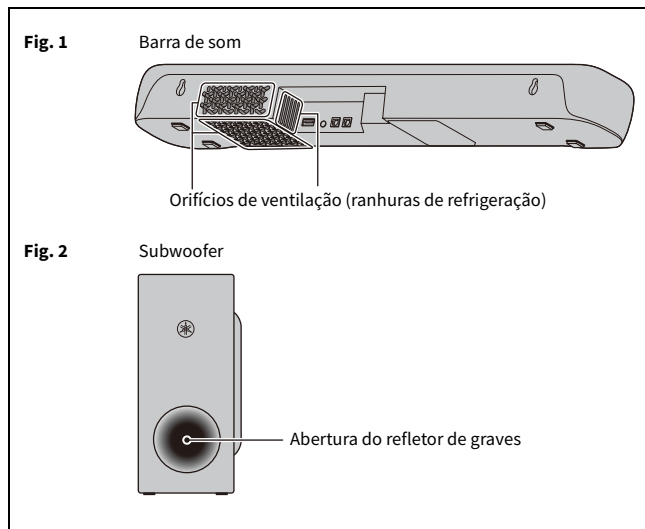
Cuidado no manuseio

- Não insira a mão ou dedos na abertura de reflexão de graves do subwoofer. (Consulte a Fig. 2 na página 4.) Se você não tomar esses cuidados, lesões poderão ocorrer.

- Não insira materiais estranhos como metal ou papel nos orifícios de ventilação (ranhuras de refrigeração) da barra de som e da abertura do refletor de graves do subwoofer. (Consulte as Figs. 1 e 2 na página 4.)
 - Mantenha peças pequenas fora do alcance de crianças. Seus filhos podem engoli-las acidentalmente.
 - Não faça o seguinte:
 - ficar em pé ou sentar no equipamento.
 - colocar itens pesados sobre o equipamento.
 - colocar o equipamento em uma pilha.
 - aplicar força excessiva aos botões, chaves, terminais de entrada/saída, etc.
 - pendurar-se na barra de som instalada em uma parede.
 - apoiar-se contra a barra de som instalada em uma parede.
- Não observar isso pode causar ferimentos ou danificar o equipamento.
- Evite puxar os cabos conectados para evitar lesões ou danos à unidade, causando sua queda.

Pilha para o controle remoto

- Não use pilhas que não sejam as especificadas. Fazer isso pode causar um incêndio ou queimaduras, ou resultar no vazamento do fluido, o que pode causar uma inflamação da pele.
- Não coloque pilhas no bolso ou na bolsa, não carregue nem armazene as pilhas com peças de metal. A pilha pode sofrer curto-circuito, explodir ou vazar, resultando em incêndio ou lesões.
- Certifique-se sempre de colocar as pilhas de acordo com as marcações de polaridade +/-.
- A posição incorreta das pilhas poderá causar incêndio, queimaduras ou inflamações por causa do vazamento de fluidos.
- Se a carga das pilhas acabar ou se a unidade não for usada por um longo período de tempo, retire as pilhas do controle remoto para evitar um possível vazamento de fluido das pilhas.
- Ao guardar ou descartar as pilhas, isole a área do terminal com fita ou outra proteção. Misturá-las com outras pilhas ou objetos de metal pode causar incêndio, queimaduras ou inflamações em decorrência do vazamento de fluidos.



Aviso

Indica pontos que você deve observar para prevenir a falha, danos ou mau funcionamento do produto, e a perda de dados.

Fornecimento de energia

- Se não for usar a unidade por um longo período de tempo, certifique-se de desconectar o plugue de alimentação da tomada. Mesmo que esta unidade seja desligada por [⏻] (Standby/On), uma pequena corrente ainda flui.

Instalação

- Não use a unidade em um local exposto à luz solar direta que torne-se extremamente quente, como perto de um aquecedor, em um local extremamente frio, ou em um local sujeito a muita poeira ou vibração. Não observar isso pode causar a deformação do painel da unidade, o mau funcionamento dos componentes internos ou a instabilidade na operação.
- Se for usar uma função sem fio, evite instalar a unidade perto de mesas ou paredes de metal, fornos micro-ondas ou outros dispositivos de rede sem fio. Obstruções podem reduzir a distância de transmissão.

Conexões

- Se for conectar unidades externas, leia com atenção o manual de cada unidade e conecte-as de acordo com as instruções. Se a unidade não for manuseada da forma adequada e de acordo com as instruções, ela talvez não funcione corretamente.
- Não conecte a unidade a unidades industriais. Esta unidade foi projetada para ser conectada a uma unidade de uso doméstico. Conectar a uma unidade industrial pode causar o mau funcionamento desta unidade.

Manuseio

- Não coloque produtos de vinil, plástico ou borracha em cima da unidade. Não observar isso pode causar a deformação ou descoloração do painel da unidade.
- Se a temperatura ambiente for alterada de maneira drástica, como durante o transporte da unidade ou em casos de aquecimento ou resfriamento rápidos, e se houver a possibilidade de condensação na unidade, não ligue a alimentação dela durante várias horas, até que ela esteja totalmente seca para o uso. Usar a unidade enquanto há condensação pode causar mau funcionamento.

Manutenção

- Quando for limpar a unidade, use um pano macio e seco. Usar produtos químicos, como benzina ou solvente, produtos de limpeza ou panos de limpeza com produtos químicos pode causar descoloração ou deformação.

Alto-falantes

- Não toque nas unidades do alto-falante. Não observar isso pode danificar os alto-falantes.

Descarte ou transferência

- Descarte as pilhas usadas de acordo com os regulamentos locais.
- Se você planeja transferir a propriedade deste produto, inclua este documento e os acessórios fornecidos com o produto.
- Siga as regras da autoridade local para descartar este produto e seus acessórios.

Informações para os utilizadores relativas à recolha e eliminação de baterias e equipamentos usados



Os símbolos ilustrados, presentes em produtos, embalagens e/ou incluídos na documentação associada, indicam que as baterias e os produtos elétricos e eletrónicos usados não devem ser eliminados juntamente com os resíduos domésticos em geral. O procedimento correto consiste no tratamento, recuperação e reciclagem de produtos e baterias usados, pelo que deve proceder à respetiva entrega nos pontos de recolha adequados, em conformidade com a legislação nacional em vigor.



Pb

A eliminação destes produtos e baterias de forma adequada permite poupar recursos valiosos e evitar potenciais efeitos prejudiciais para a saúde pública e para o ambiente, associados ao processamento incorreto dos resíduos.

Para mais informações relativas à recolha e reciclagem de baterias e produtos usados, contacte as autoridades locais, o serviço de eliminação de resíduos ou o ponto de venda onde foram adquiridos os itens relevantes.

Informações para utilizadores empresariais na União Europeia:

Para proceder à eliminação de equipamento elétrico e eletrónico, contacte o seu revendedor ou fornecedor para obter informações adicionais.

Informações relativas à eliminação em países não pertencentes à União Europeia:

Estes símbolos são válidos exclusivamente na União Europeia. Caso pretenda eliminar este tipo de itens, contacte as autoridades locais ou o seu revendedor e informe-se acerca do procedimento correto para proceder à respetiva eliminação.

Nota relativa ao símbolo referente a baterias (os dois exemplos de símbolos na parte inferior):

Este símbolo poderá ser apresentado com um símbolo químico associado. Neste caso, significa que está em conformidade com os requisitos estabelecidos na Diretiva da UE relativa a Baterias no âmbito do elemento químico relacionado.

(weee_battery_eu_pt_02a)

Informação

Sobre as funções incluídas nesta unidade

- Ar pode sair da porta de reflexão de graves. (Consulte a Fig. 2 na página 4.) Isso não é mau funcionamento. Isso ocorre especialmente ao reproduzir música com graves pesados.

Sobre as funções de comunicação sem fio [Modelos do Reino Unido e Europa]

- Especificações básicas

Bluetooth

Frequência de rádio: 2402 MHz a 2480 MHz

Potência de Saída Máxima (EIRP): 7,8 dBm (6,0 mW)

Comunicação entre a barra de som e o subwoofer

Frequência de rádio: 2405,35 MHz a 2477,35 MHz

Potência de Saída Máxima (EIRP): 9,0 dBm (7,9 mW)

Sobre a placa de identificação da unidade

- Barra de som

O número de modelo, número de série, requisitos de energia, etc. podem ser encontrados na placa de nome, que está na parte inferior da unidade. Anote-o no espaço reservado abaixo e guarde este manual como registro de compra permanente para auxiliar na identificação do produto em caso de roubo.

Nº do modelo

Nº de série

(bottom_pt_01)

VOORZICHTIG

LEES DIT ZORGVULDIG DOOR VOOR GEBRUIK. VOLG DEZE INSTRUCTIES.

De onderstaande voorzorgsmaatregelen zijn bedoeld om het risico op schade aan de gebruiker en anderen te voorkomen, om schade aan eigendommen te voorkomen en om te zorgen dat de gebruiker dit apparaat veilig en op de juiste manier gebruikt. Volg deze instructies.

Bewaar deze handleiding nadat u deze hebt gelezen op een veilige plaats zodat u hem later nog kunt raadplegen.

- Laat het apparaat altijd controleren of repareren bij de dealer bij wie u het hebt gekocht of door gekwalificeerd Yamaha-servicepersoneel.
- Yamaha kan niet verantwoordelijk worden gesteld voor persoonlijk letsel of schade aan de producten die wordt veroorzaakt door oneigenlijk gebruik van of modificaties aan de eenheid.
- Dit product is bedoeld voor gewone woonhuizen. Gebruik het niet voor toepassingen waarvoor een hoge betrouwbaarheid vereist is, zoals het beheren van levens, gezondheidszorg of eigendommen van hoge waarde.



WAARSCHUWING

Deze inhoud geeft 'risico op ernstig lichamelijk letsel of overlijden' aan.

Als u onregelmatigheden opmerkt

- Als zich een van de volgende onregelmatigheden voordoet, schakelt u het apparaat onmiddellijk uit en koppelt u de stekker los.
 - Het netsnoer/de stekker is beschadigd.
 - Het apparaat verspreidt een ongebruikelijke geur, een ongebruikelijk geluid, of er komt rook uit het apparaat.

- Er is water in het apparaat binnengekomen of materiaal dat er niet in hoort.
- Het geluid valt weg tijdens het gebruik.
- Er zit een barst in het apparaat of het apparaat is beschadigd.

Als u het apparaat blijft gebruiken, kan dat elektrische schokken, brand of storingen veroorzaken. Laat het apparaat meteen controleren of repareren bij de dealer van wie u het hebt gekocht, of door gekwalificeerd Yamaha-servicepersoneel.

Stroomvoorziening

- Doe niets waardoor het netsnoer beschadigd kan raken.
 - Plaats het niet in de buurt van een verwarming.
 - Buig het niet te ver door en verander het niet.
 - Kras niet over het snoer.
 - Plaats het niet onder een zwaar voorwerp.
- Als u het netsnoer gebruikt terwijl de kern van het snoer blootligt, kan dat elektrische schokken of brand veroorzaken.
- Raak de stekker of het snoer niet aan als de mogelijkheid van onweer bestaat. Als u zich niet aan deze richtlijnen houdt, kunnen elektrische schokken ontstaan.
- Gebruik dit apparaat met de voedingsspanning die erop is afgedrukt. Aansluiting op een incorrect stopcontact kan brand, elektrische schokken of storingen veroorzaken.
- Gebruik de/het meegeleverde netstroomadapter/netsnoer. Als u zich niet aan het bovenstaande houdt, kan dat leiden tot brand, brandwonden of storingen.
- Gebruik de meegeleverde netstroomadapter en netsnoer niet voor andere apparaten. Als u zich niet aan het bovenstaande houdt, kan dat leiden tot brand, brandwonden of storingen.
- Controleer de elektrische stekker regelmatig en verwijder al het vuil of stof dat zich erop heeft verzameld. Als u zich niet aan deze richtlijnen houdt, kan dat leiden tot brand of elektrische schokken.
- Zorg er bij het opstellen van de eenheid voor dat het gebruikte stopcontact makkelijk toegankelijk is. Schakel de aan/uit-schakelaar bij storingen of een slechte werking onmiddellijk uit en trek de stekker uit het stopcontact. Ook als de aan/uit-schakelaar is uitgeschakeld, is de eenheid niet losgekoppeld van de voedingsbron zolang het netsnoer niet uit het wandstopcontact is gehaald.

- Als u het apparaat gedurende een langere periode niet gebruikt, haal dan de stekker uit het stopcontact.
Als u zich niet aan deze richtlijnen houdt, kan dat leiden tot brand of storingen.

Opstelling

- Installeer de eenheid op de manier die is aangegeven in de handleiding.
Als de eenheid valt of kantelt, kan dat leiden tot letsel of schade.

Niet demonteren

- U mag dit apparaat niet demonteren of aanpassen.
Als u zich niet hieraan houdt, kan dat leiden tot brand, elektrische schokken, letsel of storingen.

Waarschuwing tegen water

- Stel de eenheid niet bloot aan regen en gebruik hem niet in de buurt van water of in een vochtige omgeving. Plaats nooit voorwerpen (zoals vazen, flessen of glazen) die vloeistof bevatten op de eenheid en plaats de eenheid niet op een plaats waar water kan vallen. Als er een vloeistof, zoals water, in het apparaat komt, kan dat brand, elektrische schokken of storingen veroorzaken.
- Haal nooit een stekker uit en steek nooit een stekker in het stopcontact als u natte handen heeft. Raak dit apparaat nooit met natte handen aan.
Als u zich niet aan deze richtlijnen houdt, kan dat leiden tot elektrische schokken of storingen.

Waarschuwing tegen brand

- Plaats geen brandende voorwerpen of open vuur in de buurt van de eenheid. Deze kunnen brand veroorzaken.

Zorgvuldig behandelen

- Zorg dat u dit apparaat niet laat vallen en oefen er geen overmatige druk op uit.
Als u zich niet hieraan houdt, kan dat leiden tot elektrische schokken, brand of storingen.

Batterij voor de afstandsbediening



- **BATTERIJ NIET INSLIKKEN; GEVAAR VOOR CHEMISCHE BRANDWONDEN**
De afstandsbediening die wordt meegeleverd met dit product bevat een knoopcel als batterij. Als de knoopcel wordt ingeslikt, kan deze binnen 2 uur tot ernstige interne brandwonden leiden, hetgeen zelfs in overlijden kan resulteren.
Houd zowel nieuwe als gebruikte batterijen buiten bereik van kinderen. Als het batterijvak niet goed dicht kan, moet u het gebruik van het product staken en het buiten bereik van kinderen houden.
Als u denkt dat een batterij is ingeslikt of in het lichaam terecht is gekomen, moet u onmiddellijk medische hulp inroepen.

- Demonteer geen batterijen.
Als de inhoud van de batterij op uw handen of in uw ogen komt, kan dat blindheid of chemische brandwonden veroorzaken.
- Gooi een batterij nooit in het vuur.
- Stel de batterij niet bloot aan omstandigheden van extreem lage luchtdruk, extreme kou, of extreme hitte (zoals in direct zonlicht of vuur), of aan teveel stof of een te hoge vochtigheid.
Ze kunnen barsten en zo brand of letsel veroorzaken.
- Probeer nooit niet-oplaadbare batterijen op te laden.
Door het opladen kan een barst of lek ontstaan in de batterij, wat blindheid, chemische brandwonden of letsel kan veroorzaken.
- Vermijd contact met de vloeistof als een batterij lekt.
Als de batterijvloeistof in contact mocht komen met uw ogen, mond of huid, was het betreffende gebied dan onmiddellijk met water en raadpleeg een arts.
Batterijvloeistof is corrosief en kan mogelijk gezichtsverlies of chemische verbranding veroorzaken.

Draadloos apparaat

- Gebruik dit toestel niet in de buurt van medische apparaten of in medische instellingen.
Radiogolven van deze eenheid kunnen elektronische medische apparatuur beïnvloeden.
- Gebruik dit toestel niet binnen een afstand van 15 cm van personen met een geïmplanteerde hartpacemaker of defibrillator.

Radiogolven die afkomstig zijn van deze eenheid, kunnen een elektro-medische apparaten zoals geïmplanteerde pacemaker of defibrillator beïnvloeden.



VOORZICHTIG

Deze inhoud geeft 'risico op lichamelijk letsel' aan.

Stroomvoorziening

- Bedek de netstroomadapter niet met een doek of deken en wikkel deze daar ook niet in.
Als u zich hier niet aan houdt, kan zich warmte ophopen waardoor de behuizing vervormd kan raken of brand kan ontstaan.
- Gebruik geen stopcontact waar de stekker alleen maar losjes in past.
Als u zich niet aan deze richtlijnen houdt, kan dat leiden tot brand, elektrische schokken of brandplekken.
- Wanneer u de stekker uit het stopcontact haalt, moet u altijd de stekker zelf vasthouden en niet het snoer.
Als u aan het snoer trekt, kan het beschadigd raken, wat kan leiden tot elektrische schokken of brand.
- Steek de stekker stevig helemaal in het stopcontact.
Als u het apparaat gebruikt terwijl de stekker niet goed in het stopcontact zit, kan zich stof verzamelen op het stopcontact, wat brand of brandplekken kan veroorzaken.

Opstelling

- Plaats de eenheid niet in een onstabiele positie waardoor deze per ongeluk kan vallen of omvallen en letsel kan veroorzaken.
- Wanneer u dit apparaat installeert, moet u ervoor zorgen dat de koeling niet wordt belemmerd.
 - Bedek het apparaat niet met een doek.
 - Installeer het apparaat niet op een tapijt of vloerkleed.
 - Blokkeer de ventilatieopeningen (koelsleuven) van dit apparaat niet. (Raadpleeg Afb. 1 op bladzijde 4.)
 - Installeer het apparaat niet op een andere manier dan aangegeven.
 - Gebruik het apparaat niet in een kleine, slecht geventileerde locatie.

Als u zich niet aan de bovenstaande richtlijnen houdt, kan zich warmte ophopen in het apparaat, waardoor brand of storingen kunnen ontstaan. Zorg dat er voldoende vrije ruimte rondom de geluidsbalk is: minimaal 10 cm aan de bovenzijde, 10 cm aan de zijkanten, en 10 cm aan de achterkant. Zorg dat er voldoende vrije ruimte rondom de subwoofer is: minimaal 20 cm aan de bovenzijde, 20 cm aan de zijkanten, en 20 cm aan de achterkant.

- Installeer de eenheid niet op plaatsen waar deze in contact kan komen met corrosieve gassen of zoute lucht of op plaatsen met overmatige rook of stoom. Als u dat wel doet, zou dit kunnen leiden tot een defect.
- Blijf uit de buurt van de eenheid tijdens een natuurramp, zoals een aardbeving. De eenheid kan kantelen of omvallen en letsel veroorzaken, dus ga snel uit de buurt van het apparaat en ga naar een veilige plek.
- Schakel voordat u dit apparaat verplaatst het apparaat uit en koppel alle kabels los.
Als u zich hier niet aan houdt, kunnen de kabels beschadigd raken of kunt u of iemand anders erover struikelen en vallen.
- Voor een correcte bevestiging van de geluidsbalk aan een wand, moet u dit laten uitvoeren door de dealer van wie u het toestel hebt gekocht, of door gekwalificeerd servicepersoneel.
Als u zich niet aan deze richtlijnen houdt, kan de installatie vallen en leiden tot letsel. De installatie vereist speciale vaardigheden en ervaring.

Gehoerverlies

- Gebruik de eenheid niet te lang op een hoog of oncomfortabel geluidsniveau, aangezien dit permanent gehoorverlies kan veroorzaken. Consulteer een KNO-arts als u ruis in uw oren of gehoorverlies constateert.
- Voordat u de eenheid aansluit op andere elektronische componenten, moet u alle betreffende apparatuur uitschakelen.
Als u dat niet doet, kan dat leiden tot gehoorverlies, elektrische schokken of beschadiging van apparatuur.

Onderhoud

- Haal eerst de stekker uit het stopcontact voordat u de eenheid schoonmaakt.
Als u zich niet aan deze richtlijnen houdt, kunnen elektrische schokken ontstaan.

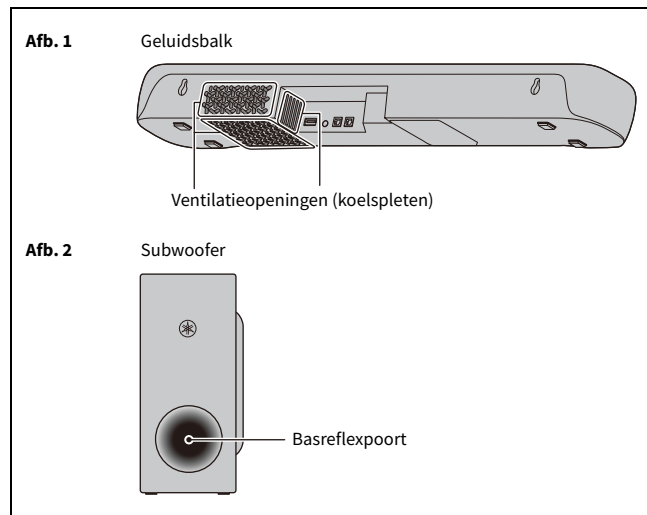
Zorgvuldig behandelen

- Steek uw hand of vingers niet in de basreflexpoort van de subwoofer. (Raadpleeg Afb. 2 op bladzijde 4.)
Als u zich niet aan deze richtlijnen houdt, kan letsel ontstaan.
- Steek geen materiaal zoals metaal of papier in de ventilatieopeningen (koelspleten) van de geluidsbalk en de basreflexpoort van de subwoofer. (Raadpleeg Afb. 1 en 2 op bladzijde 4.)
- Houd kleine onderdelen buiten het bereik van kleine kinderen.
Uw kinderen kunnen ze per ongeluk inslikken.
- Doe het volgende niet:
 - op de apparatuur staan of zitten.
 - zware voorwerpen bovenop de apparatuur plaatsen.
 - de apparatuur stapelen.
 - overmatige kracht uitoefenen op knoppen, schakelaars, ingangen/uitgangen enz.
 - aan een aan de wand bevestigde geluidsbalk gaan hangen.
 - tegen een aan de wand bevestigde geluidsbalk leunen.Als u zich niet aan deze richtlijnen houdt, kan dit letsel of schade aan de apparatuur veroorzaken.
- Trek niet aan de aangesloten snoeren, want daardoor kan de eenheid vallen en letsel veroorzaken of schade aan de eenheid zelf.

Batterijgebruik

- Gebruik geen andere batterijen dan de aangegeven batterijen.
Doet u dit niet, dan bestaat er kans op brand of brandwonden, of kan er vloeistoflekkage optreden wat kan resulteren in huidirritatie.
- Zorg dat u batterijen niet samen met stukken metaal in een zak of tas doet, draagt of bewaart.
Er kan kortsluiting ontstaan of de batterij kan barsten of lekken en zo brand of letsel veroorzaken.
- Zorg ervoor dat de batterijen altijd op de juiste manier geplaatst worden; let op het plus- (+) en minteken (-).
Doet u dit niet, dan kan dit leiden tot brand, brandplekken of vlamvorming door het lekken van vloeistof.
- Wanneer de batterijen leeg raken, of wanneer u de afstandsbediening gedurende een langere periode niet gebruikt, moet u de batterijen eruit halen om schade door lekken van de batterijen te voorkomen.

- Isoleer de polen van batterijen met plakband of een andere bescherming wanneer u ze bewaart of weggooit.
Als u ze mengt met andere batterijen of metalen voorwerpen, kan dat brand, brandplekken of vlammen veroorzaken doordat er vloeistof kan gaan lekken.



Let op

Geef punten aan waar u zich aan moet houden om defecten aan het product, schade, of storingen en verlies van gegevens te voorkomen.

Stroomvoorziening

- Als u het apparaat gedurende een langere periode niet gebruikt, moet u de stekker uit het stopcontact halen. Zelfs als dit apparaat is uitgeschakeld met [⏻] (Standby/Aan), blijft er een kleine stroom lopen.

Opstelling

- Gebruik dit apparaat niet op een locatie die blootstaat aan direct zonlicht en die zeer warm (zoals bij een verwarming) wordt, of zeer koud, of die blootstaat aan grote hoeveelheden stof of trillingen. Als u zich niet aan deze richtlijnen houdt, kan het paneel van het apparaat hierdoor vervormd raken, kunnen de interne onderdelen mogelijk niet meer goed werken, of kan de werking van het apparaat onstabiel worden.
- Als u een draadloze functie gebruikt, plaats dit apparaat dan niet in de buurt van metalen wanden of bureaus, magnetrons of andere draadloze netwerkapparaten. De transmissieafstand kan worden verkort door obstakels.

Aansluitingen

- Als u externe apparaten aansluit, lees dan de handleiding voor elk apparaat grondig door en sluit de apparaten aan overeenkomstig de instructies. Als u een apparaat niet behandelt overeenkomstig de instructies, kunnen storingen ontstaan.
- Sluit dit apparaat niet aan op industriële apparaten. Dit apparaat is ontworpen voor aansluiting op een apparaat voor consumentengebruik. Aansluiten op industriële apparaten kan resulteren in een defect van het apparaat.

Hanteren

- Plaats geen vinyl, plastic of rubberen producten op dit apparaat. Als u zich niet aan deze richtlijnen houdt, kunnen verkleuringen of vervormingen ontstaan in het paneel van dit apparaat.
- Als de omgevingstemperatuur plotseling verandert (bijvoorbeeld tijdens het transport van het apparaat of bij snelle verwarming of verkoeling) en er mogelijk condensvorming is opgetreden in het apparaat, laat u het apparaat voor gebruik enkele uren staan zonder het in te schakelen, totdat het helemaal droog is. Als u het apparaat gebruikt terwijl er condensatie aanwezig is, kunnen er storingen optreden.

Onderhoud

- Gebruik bij het schoonmaken van het apparaat een zachte droge doek. Het gebruik van chemische stoffen als benzine of thinner, reinigingsproducten of chemische schoonmaakdoekjes kan verkleuring of vervorming veroorzaken.

Luidsprekers

- Raak de luidsprekereenheden niet aan. Als u zich niet aan deze richtlijnen houdt, dan kunnen de luidsprekers beschadigd raken.

Verwijdering of overdracht

- Lege batterijen vallen onder Klein Chemisch Afval en dienen als zodanig behandeld te worden.
- Als u van plan bent dit product over te dragen, dient u dit document en de meegeleverde accessoires samen met het product over te dragen.
- Volg de regels van uw lokale autoriteit om dit product en de bijbehorende accessoires te verwijderen.

Informatie over ophalen en weggooiën van oude apparatuur en lege batterijen



Deze symbolen op de apparaten, verpakking en/of meegeleverde documenten betekenen dat gebruikte elektrische en elektronische apparaten en batterijen niet met het gewone huishoudelijke afval mogen worden gemengd. Voor juist behandelen, hergebruik of recycleren van oude apparatuur en lege batterijen brengt u deze naar de desbetreffende ophaalpunten in overeenstemming met de nationale wetgeving.



Pb

Door deze apparatuur en batterijen op de juiste manier weg te gooien, helpt u waardevolle bronnen te sparen en mogelijk negatieve effecten op de gezondheid van de mens en op het milieu te voorkomen, die het gevolg kunnen zijn van niet-aangepaste afvalverwerking.

Voor meer informatie over ophalen en recycleren van oude apparatuur en batterijen neemt u contact op met de lokale overheid, uw afvalophaalmaatschappij of het verkooppunt waar u de items hebt gekocht.

Voor zakelijke gebruikers in de Europese Unie:

Als u elektrische en elektronische apparatuur wilt weggooiën, neemt u voor meer informatie contact op met uw dealer of leverancier.

Informatie over weggooiën in landen buiten de Europese Unie:

Deze symbolen zijn alleen geldig in de Europese Unie. Als u deze items wilt weggooiën, neemt u contact op met de lokale overheid of een lokale dealer en vraagt u om instructies voor het correct weggooiën.

Opmerking bij het batterijsymbool (de twee onderste voorbeeldsymbolen):

Dit symbool kan in combinatie met een chemisch symbool worden gebruikt. In dat geval wordt voldaan aan de eis uit de batterijrichtlijn van de EU voor de desbetreffende chemische stof.

(weee_battery_eu_n1_02)

Informatie

Informatie over functies die zijn opgenomen in het apparaat

- Er kan lucht uit de bass-reflexpoort komen. (Raadpleeg Afb. 2 op bladzijde 4.) Dit is geen fout. Het gebeurt met name vaak bij het afspelen van muziek met een zware bas.

Over de draadloze communicatiefuncties [modellen voor Groot-Brittannië en Europese vasteland]

- Basisspecificaties

Bluetooth

Radiofrequentie: 2402 MHz tot 2480 MHz

Maximum uitgangsvermogen (EIRP): 7,8 dBm (6,0 mW)

Communicatie tussen de geluidsbalk en de subwoofer

Radiofrequentie: 2405,35 MHz tot 2477,35 MHz

Maximum uitgangsvermogen (EIRP): 9,0 dBm (7,9 mW)

Over het naamplaatje van het apparaat

- Geluidsbalk

Het modelnummer, het serienummer, de stroomvereisten, enz. worden vermeld op of in de nabijheid van het naamplaatje, dat zich aan de onderzijde van het toestel bevindt. Het is raadzaam dit serienummer in de hieronder gereserveerde ruimte te noteren. Bewaar ook deze handleiding als permanent aankoopbewijs om identificatie in geval van diefstal te vergemakkelijken.

Modelnummer

Serienummer

(bottom_nl_01)

ПРАВИЛА ТЕХНИКИ БЕЗОПАСНОСТИ

ПЕРЕД ИСПОЛЬЗОВАНИЕМ ВНИМАТЕЛЬНО ПРОЧИТАЙТЕ ДАННЫЕ УКАЗАНИЯ. СЛЕДУЙТЕ ЭТИМ ИНСТРУКЦИЯМ.

Меры безопасности, приведенные ниже, позволяют предотвратить риск получения увечья пользователем или другими лицами и повреждение собственности. Они должны помочь пользователю корректно и безопасно эксплуатировать прибор. Следуйте этим инструкциям.

После прочтения храните это руководство в надежном месте, чтобы к нему можно было обратиться в любое время.

- Направляйте запросы на осмотр или ремонт представителю, у которого вы приобрели устройство, или специалисту центра технического обслуживания корпорации Yamaha.
- Корпорация Yamaha не несет ответственности за травмы или повреждения изделий, вызванные неправильной эксплуатацией или модификацией устройства.
- Данное устройство предназначено для повседневного использования дома. Не используйте его в областях, требующих высокой надежности, например в сфере жизнеобеспечения, здравоохранения или при работе с активами высокой стоимости.



ПРЕДУПРЕЖДЕНИЕ

Данная информация предупреждает о риске смерти или получения серьезных увечий.

Внештатные ситуации

- При возникновении любой из указанных ниже проблем немедленно отключите питание и отсоедините вилку питания.
 - Кабель питания или вилка повреждены.
 - Из устройства исходит необычный запах, звук или дым.
 - Внутри устройства попало постороннее вещество или вода.
 - Во время эксплуатации пропадает звук.
 - На устройстве имеются трещины или повреждения.Продолжение эксплуатации может привести к поражению электрическим током, пожару или неисправности. Незамедлительно отправьте запрос на осмотр или ремонт представителю, у которого вы приобрели устройство, или специалисту центра технического обслуживания корпорации Yamaha.

Источник питания

- Не допускайте любых действий, которые могут привести к повреждению кабеля питания.
 - Не располагайте его рядом с обогревателями.
 - Не скручивайте и не сгибайте его.
 - Не царапайте его.
 - Не ставьте на него тяжелые предметы.Эксплуатация кабеля питания с оголенной центральной жилой может стать причиной пожара или поражения электрическим током.
- Не прикасайтесь к вилке или кабелю питания, если существует вероятность грозового разряда. Несоблюдение этого указания может привести к поражению электрическим током.
- Напряжение источника питания должно соответствовать указанному на нем значению. Подключение к неподходящей розетке переменного тока может стать причиной пожара, поражения электрическим током или неисправности.

- Используйте входящий в комплект поставки адаптер переменного тока и кабель питания.
Несоблюдение этого указания может привести к пожару, ожогам или неисправностям.
- Не используйте входящий в комплект поставки адаптер переменного тока и кабель питания для других устройств.
Несоблюдение этого указания может привести к пожару, ожогам или неисправностям.
- Периодически проверяйте сетевую вилку и очищайте ее от скопившейся пыли и грязи.
Несоблюдение этого указания может привести к пожару или поражению электрическим током.
- Перед настройкой устройства убедитесь, что используемая розетка переменного тока легкодоступна.
При возникновении какого-либо сбоя или неисправности немедленно отключите питание с помощью выключателя и извлеките вилку из розетки переменного тока. Даже если выключатель питания находится в выключенном положении, до тех пор пока вилка не отсоединена от розетки, устройство остается подключенным к источнику питания.
- Если устройство не будет использоваться в течение длительного времени, извлеките вилку питания из розетки переменного тока.
Несоблюдение этого указания может привести к пожару или неисправностям.

Установка

- Установите в соответствии с описанием, приведенным в руководстве.
Падение или опрокидывание устройства может привести к травмам или повреждениям.

Не разбирать

- Не разбирайте и не вносите изменения в это устройство.
Несоблюдение этого указания может привести к пожару, поражению электрическим током, травмам или неисправностям.

Беречь от воды

- Не допускайте попадания устройства под дождь, не пользуйтесь им рядом с водой, в условиях сырости или повышенной влажности. Не ставьте на устройство какие-либо емкости с жидкостью (например, вазы, бутылки или стаканы), которая может пролиться и попасть в отверстия, а также не

пользуйтесь им там, где на него может попасть вода. Попадание жидкости, например воды, внутрь устройства может стать причиной пожара, поражения электрическим током или неисправности.

- Ни в коем случае не вставляйте и не вынимайте сетевую вилку мокрыми руками. Не беритесь за устройство влажными руками.
Несоблюдение этого указания может привести к поражению электрическим током или неисправностям.

Беречь от огня

- Не размещайте горящие предметы или источники открытого огня рядом с устройством, поскольку это может привести к возгоранию.

Меры безопасности при эксплуатации

- Не роняйте и не подвергайте устройство физическому воздействию.
Несоблюдение этого указания может привести к поражению электрическим током, пожару или неисправностям.

Батарейка для пульта ДУ



- **ОСТЕРЕГАЙТЕСЬ ПРОГЛАТЫВАНИЯ БАТАРЕЙКИ, СУЩЕСТВУЕТ ОПАСНОСТЬ ХИМИЧЕСКОГО ОЖОГА**
Пульт ДУ, поставляемый с данным изделием, содержит плоскую/кнопочную батарейку. Проглатывание плоской/кнопочной батарейки может привести к тяжелым внутренним ожогам в течение всего 2 часов и привести к смерти. Храните новые и использованные батарейки в местах, недоступных для детей. Если батарейный отсек не закрывается надежно, прекратите использование изделия и храните его в месте, недоступном для детей.
При возникновении подозрений, что батарейки могли быть проглочены или попасть внутрь каким-либо другим способом, немедленно обратитесь за медицинской помощью.

- Не разбирайте батарею.
Попадание содержимого батареи в глаза или на руки может привести к потере зрения или химическому ожогу.
- Не бросайте батарею в огонь.

- Не подвергайте батарейку воздействию крайне низкого атмосферного давления, холода или тепла (например, под прямым солнечным светом или огнем), чрезмерной пыли или влажности. Это может привести к взрыву батареи и стать причиной пожара или травмы.
- Не пытайтесь заряжать батареи, не рассчитанные на повторную зарядку. Зарядка может привести к взрыву или протеканию батареи, что, в свою очередь, может вызвать потерю зрения, химический ожог или травму.
- Если батареи все же протекли, избегайте контакта с вытекшим электролитом. В случае попадания электролита в глаза, рот или на кожу, немедленно смойте электролит водой и обратитесь к врачу. Электролит — это едкое вещество, способное вызвать потерю зрения или химические ожоги.

Модуль беспроводной связи

- Не используйте данное устройство рядом с медицинскими приборами или в медицинских учреждениях. Радиоизлучение данного устройства может повлиять на работу электрических медицинских приборов.
- Не используйте данное устройство в пределах 15 см от лиц с вживленным кардиостимулятором или дефибриллятором. Радиоволны, генерируемые данным устройством, могут повлиять на работу электрических медицинских устройств, например вживленных кардиостимуляторов или дефибрилляторов.



ВНИМАНИЕ

Данная информация предупреждает о риске получения травмы.

Источник питания

- Не накрывайте адаптер переменного тока тканью или одеялом. Это может препятствовать отводу тепла и стать причиной деформации или пожара.
- Не используйте розетки переменного тока, в которых вилка питания держится неплотно. Несоблюдение этого указания может привести к пожару, поражению электрическим током или ожогам.
- Во время отсоединения вилки питания всегда беритесь за вилку, а не за кабель.

Это может привести к повреждению кабеля и стать причиной поражения электрическим током или пожара.

- Вставляйте вилку питания в розетку переменного тока плотно и до упора. Использование устройства, вилка которого недостаточно плотно вставлена в розетку, может вызвать накопление частиц пыли на вилке и стать причиной пожара или ожога.

Установка

- Не оставляйте устройство в неустойчивом положении. Устройство может случайно упасть и привести к травмам.
- Во время установки устройства не создавайте препятствий для отвода тепла.
 - Не накрывайте устройство тканью.
 - Не ставьте устройство на коврики или ковры.
 - Не закрывайте вентиляционные отверстия (охлаждающие прорези) устройства. (См. Рис. 1 на странице 4.)
 - Не устанавливайте устройство иным образом, чем указано.
 - Не пользуйтесь устройством в тесных, плохо проветриваемых помещениях. Несоблюдение приведенных выше указаний может привести к нарушению отвода тепла от устройства. Убедитесь, что вокруг саундбара есть достаточное пространство: не менее 10 см сверху, 10 см по бокам и 10 см сзади. Убедитесь, что вокруг сабвуфера есть достаточное пространство: не менее 20 см сверху, 20 см по бокам и 20 см сзади.
- Не устанавливайте устройство в местах, где на него могут воздействовать вызывающие коррозию газы или соленый воздух, а также в местах с сильной задымленностью или повышенным содержанием пара. Это может стать причиной неисправности.
- Не рекомендуется находиться в непосредственной близости от устройства во время стихийных бедствий, например землетрясений. Так как устройство может перевернуться или упасть и причинить травму, немедленно отойдите от него в безопасное место.
- Перед перемещением устройства отключите выключатель питания и отсоедините все подключенные кабели. Несоблюдение этого указания может привести к повреждению кабелей. Также вы или кто-то другой можете споткнуться и упасть.
- Для надлежащего монтажа саундбара на стене он должен осуществляться дилером, у которого приобретен аппарат, или квалифицированным сервисным персоналом. Несоблюдение этого указания в процессе установки может привести к падению устройства и получению травмы. Для установки требуется наличие специальных навыков и опыта.

Потеря слуха

- Не следует долго пользоваться устройством при высоком или некомфортном уровне громкости, поскольку это может привести к потере слуха. При ухудшении слуха или звоне в ушах обратитесь к врачу.
- Перед подключением устройства к другим устройствам отключите их питание. В противном случае это может привести к потере слуха, поражению электрическим током или повреждению устройства.

Техническое обслуживание

- Во время чистки отсоединяйте вилку питания от розетки переменного тока. Несоблюдение этого указания может привести к поражению электрическим током.

Меры безопасности при эксплуатации

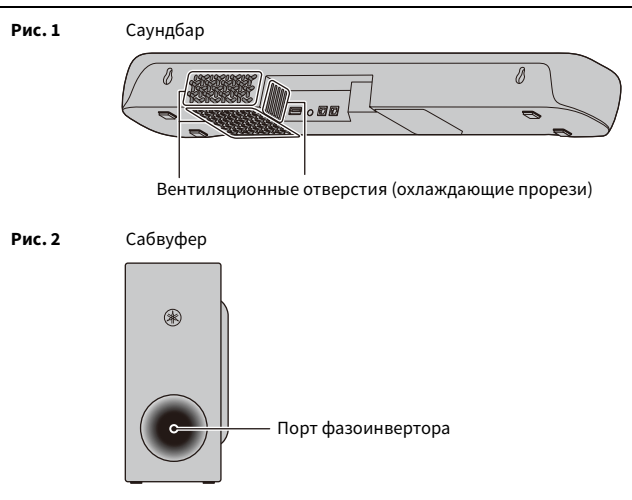
- Не вставляйте руки или пальцы в порт фазоинвертора сабвуфера. (См. Рис. 2 на странице 4.)
Несоблюдение этого указания может привести к травме.
- Не вставляйте посторонние материалы, такие как металл или бумагу, в вентиляционные отверстия (охлаждающие прорези) саундбара и порт фазоинвертора сабвуфера. (См. Рис. 1 и 2 на странице 4.)
- Храните мелкие детали вдали от детей.
Дети могут случайно проглотить их.
- Запрещается:
 - вставать на оборудование или сидеть на нем.
 - ставить тяжелые предметы на оборудование.
 - ставить оборудование друг на друга.
 - применять избыточную силу к кнопкам, переключателям, разъемам ввода-вывода и т.п.
 - виснуть на саундбаре, установленном на стене.
 - прислоняться к саундбару, установленному на стене.Несоблюдение этого указания может привести к получению травм или повреждению устройства.
- Не тяните за подключенные кабели. Это может привести к травмам или повреждению устройства вследствие его падения.

Батарейка для пульта ДУ

- Используйте батареи только указанного типа.

Это может стать причиной пожара или ожогов, или привести к утечке электролита, что может вызвать воспаление кожи.

- Не помещайте батареи в карман или пакет, не носите и не храните батареи рядом с металлическими предметами.
При коротком замыкании батареи может взорваться, либо из нее может потечь жидкость, став причиной пожара или травмы.
- Обязательно устанавливайте батареи в соответствии с отметками +/-, указывающими полярность.
Несоблюдение этого указания может привести к ожогам или возгоранию вследствие утечки электролита.
- Если батареи разряжены или если устройство не будет использоваться на протяжении длительного периода времени, извлеките батареи из устройства или пульта дистанционного управления, чтобы предотвратить возможную утечку электролита.
- При хранении или утилизации батарей изолируйте область полюсов с помощью клейкой ленты или другого материала.
Контакт с другими батареями или металлическими предметами может привести к пожару, ожогам или возгоранию из-за утечек жидкости.



Уведомление

Указания, которые необходимо соблюдать во избежание неисправности, повреждения или нарушения работы изделия, а также потери данных.

Источник питания

- Если устройство не будет использоваться в течение длительного времени, обязательно отсоедините вилку питания от розетки электросети. Даже если данное устройство выключено с помощью [⏻] (Ожидание/Вкл), незначительный ток продолжает протекать.

Установка

- Не используйте это устройство в месте, которое подвержено воздействию прямого солнечного света, которое может слишком сильно нагреться (например, рядом с обогревателем) или охладиться или которое подвержено слишком сильному воздействию пыли или вибрации. Несоблюдение этого указания может привести к деформации панели данного устройства, вызвать неисправности внутренних компонентов или стать причиной нестабильной работы.
- При использовании беспроводной сети избегайте установки данного устройства рядом с металлическими стенами или столами, микроволновыми печами или другими беспроводными сетевыми устройствами. Препятствия могут сократить расстояние передачи.

Подключения

- При подключении внешних устройств обязательно внимательно прочитайте руководство для каждого устройства и подключите их в соответствии с приведенными инструкциями. Неправильное подключение устройства, нарушающее инструкции, может привести к его неправильной работе.
- Не подключайте это устройство к промышленным устройствам. Это устройство предназначено для подключения к бытовому устройству. Подключение к промышленному агрегату может привести к неисправности этого устройства.

Обращение с устройством

- Не ставьте на это устройство виниловые, пластмассовые и резиновые предметы. Несоблюдение этого указания может стать причиной деформации или выцветания панели устройства.
- Если при резком изменении внешней температуры (например, при транспортировке устройства или при быстром нагреве либо охлаждении) есть вероятность образования конденсата в устройстве, перед использованием оставьте его на несколько часов, не включая питания, пока оно не высохнет полностью. Использование устройства при наличии в нем сконденсировавшейся влаги может привести к его повреждению.

Техническое обслуживание

- Для чистки устройства пользуйтесь мягкой сухой тканью. Использование химикатов, таких как бензин или разбавитель, моющих средств или тканей для химической чистки может привести к деформации или обесцвечиванию.

Динамики

- Не прикасайтесь к динамикам. Несоблюдение этого указания может привести к повреждению динамиков.

Утилизация или передача

- Использованные батареи должны утилизироваться в соответствии с действующим местным законодательством.
- Если вы планируете передать право собственности на данное изделие, включите этот документ и прилагаемые аксессуары вместе с изделием.
- Соблюдайте правила местных органов управления по утилизации данного изделия и его принадлежностей.

Информация

О функциях в данном устройстве

- Из порта отражения басов может выходить воздух. (См. Рис. 2 на странице 4.) Это не свидетельствует о неполадке. Такое часто происходит при воспроизведении музыки с сильными басами.

О паспортной табличке устройства

- Саундбар

Номер модели, серийный номер, требования к источнику питания и пр. указаны на табличке с названием изделия в нижней части устройства или рядом с ней. Запишите серийный номер в расположенном ниже поле и сохраните данное руководство как подтверждение покупки; это поможет идентифицировать принадлежность устройства в случае кражи.

№ модели

Серийный №

(bottom_ru_02)

注意事项

请在使用前，仔细阅读下述内容。请务必按照这些指示操作。

下列注意事项能够防止给用户和其他事物造成伤害的风险以及防止财产损失，并为用户合理、安全地使用本产品提供帮助。请务必按照这些指示操作。

阅读完本手册后，请将本手册放置在安全的位置以便您日后参考。

- 请务必向您购买本产品的经销商或具有资质的 Yamaha 服务人员要求检测或维修。
- 对由于不正当使用或擅自改造本产品所造成的人身伤害和产品损坏，Yamaha 不负任何责任。
- 本产品适用于普通家庭。请勿用于需要高可靠性的应用，例如管理生命、医疗保健或高价值资产。



警告

本内容表示“有重伤或死亡的风险”。

当意识到任何异常情况时

- 当出现以下任何一种异常时，请立即关闭电源并断开电源插头。
 - 电源线 / 插头损坏。
 - 本产品发出异味、异响或烟雾。
 - 异物或水进入本产品。
 - 使用过程中声音中断。
 - 产品出现裂缝或损坏。
- 继续使用可能造成触电、火灾或故障。请立即向您购买本产品的经销商或具有资质的 Yamaha 服务人员要求检测或维修。

电源

- 请勿进行任何会伤害电源线的操作。
 - 请勿将电源线放置在取暖器附近。
 - 请勿将电源线过度弯曲或改变形状。
 - 请勿刮擦电源线。
 - 请勿将电源线放置在重物之下。
- 将电源线芯线暴露在外使用，可能造成触电或火灾。
- 当可能发生闪电时，请勿触摸电源插头或电线。否则可能造成触电。
 - 使用电源电压印制其上的产品。未连接适当 AC 插座可能造成火灾、触电或故障。
 - 请务必使用指定 / 附带的交流电源适配器和电源线。否则可能造成火灾、烧伤或故障。
 - 请勿使用其他设备的交流电源适配器和电源线。

否则可能造成火灾、烧伤或故障。

- 定期检查电插头，擦除插头上积起来的脏物或灰尘。否则可能造成火灾或触电。
- 设置本产品时，请确认要使用的 AC 插座伸手可及。如果发生问题或者故障，请立即断开电源开关并从 AC 插座中拔下插头。即使电源已经关闭，只要电源线未从 AC 插座上拔除，本产品就不会从电源上真正断开。
- 如果长时间不使用本产品，请务必将插头从 AC 插座上拔下。否则可能造成火灾或故障。

安装

- 按照说明书中的指示安装。跌落或倾倒可能导致受伤或损坏。

连接

- 请勿拆卸或改装本产品。否则可能造成火灾、触电、受伤或故障。

防水警告

- 请勿让本产品淋雨或在水附近及潮湿环境中使用，或将盛有液体的容器（如花瓶、水瓶或玻璃杯）放在其上，否则可能会导致液体溅入任何开口或可能掉落水的位置。液体，如水等进入本产品，可能造成火灾、触电或故障。
- 切勿用湿手插拔电源线插头。请勿使用湿手搬运本产品。否则可能造成触电或故障。

防火警告

- 请勿让任何燃烧物或明火靠近本产品，否则可能造成火灾。

小心操作

- 请注意不要使本产品掉落或对其施加重力。否则可能造成触电、火灾或故障。

遥控器电池



- 请勿吞下电池，可能有化学燃烧危险。本产品随附的遥控器中包含一枚硬币 / 纽扣电池。如果吞下硬币 / 纽扣电池，它会在 2 小时内造成严重的内部烧伤，并可能导致死亡。让儿童远离新的和用过的电池。如果电池舱未关严，停止使用本产品并将其远离儿童。如果您认为电池可能被吞食或进入身体的任何部位，请立即就医。
- 请勿拆卸电池。如果电池中的物质泄漏在您的手上或进入眼睛，可能会造成失明或化学烧伤。
- 请勿将电池丢入火中。
- 不要将电池暴露在极低气压、寒冷或高温（如阳光直射或火源）或有过多灰尘或潮湿的环境条件下。否则可能引起电池爆炸，造成火灾或受伤。
- 请勿给非可充电电池充电。否则可能引起电池爆炸或泄露，会造成失明、化学烧伤或受伤。
- 如果电池漏液，请勿接触泄漏的电解液。如果电解液接触到眼睛、口部或皮肤，请立即用水冲洗并就医。电解液具有腐蚀性，可能会造成失明或化学灼伤。

无线设备

- 请勿在医疗设备附近或医疗设施内使用本产品。
本产品的无线电波可能影响电子医疗设备。
- 请勿在装有心脏起搏器或除颤器的人员的 15 厘米范围内使用本产品。
本产品的无线电波可能影响如心脏起搏器或除颤器的电子医疗设备。



注意

本内容表示“有受伤的风险”。

电源

- 请勿用布或毯子盖住或包裹交流电源适配器。
否则会收集热量，可能造成变形或引起火灾。
- 请勿使用与电源插头相比较松的 AC 插座。
否则可能造成火灾、触电或烧伤。
- 断开电源插头时，要一直握住插头拔下，不要扯着电源线拔下。
若拉扯电源线可能导致损坏并造成触电或火灾。
- 请始终将电源插头牢固地插入 AC 插座中。
在插头未充分插入插座的情况下使用本产品将会使得灰尘积聚在插头上，造成火灾或烧伤。

安装

- 请勿将本产品放在不稳定的地方，否则可能导致突然掉落或翻倒并造成人身伤害。
- 安装本产品时，请勿阻碍散热。
 - 请勿用布遮盖。

- 请勿在地毯上安装。
- 请勿堵住本产品的通风口（冷却缝隙）。（参阅第 4 页的图 1。）
- 请勿使用未指示的其他方式安装本机。
- 请勿在狭小、通风不良的地点使用设备。

否则可能会积聚热量，造成火灾或故障。请确保条形音箱附近有充足的空间：距离顶部至少 10 厘米，距离侧面至少 10 厘米，距离背面至少 10 厘米。请确保低音炮附近有充足的空间：距离顶部至少 20 厘米，距离侧面至少 20 厘米，距离背面至少 20 厘米。

- 请勿将产品安装在可能接触腐蚀性气体或含盐份空气或有过多烟雾或蒸汽的场所。
否则可能导致故障。
- 地震等自然灾害发生时请勿靠近本产品。
由于产品可能翻倒或坠落造成人身伤害，请尽快远离产品并转移到安全地带。
- 移动本产品前，请务必关闭电源开关和断开所有连接线。
否则可能损坏线缆或造成您或他人绊倒和跌倒。
- 要正确在墙上安装条形音箱，请确保安装是由设备的经销商或合格的服务人员进行的。
否则可能会使本机掉落，进而导致受伤。安装需要特殊技巧和经验。

听力损伤

- 请勿长时间持续在很高或不舒服的音量水平使用本产品，否则可能会造成永久性听力损害。若发生任何听力损害或耳鸣，请尽快就医。
- 将本产品连接到其它设备之前，请关闭所有设备的电源开关。
否则可能造成听力损伤、触电或设备受损。

保养

- 清洁产品之前，请从 AC 插座拔出电源插头。
否则可能造成触电。

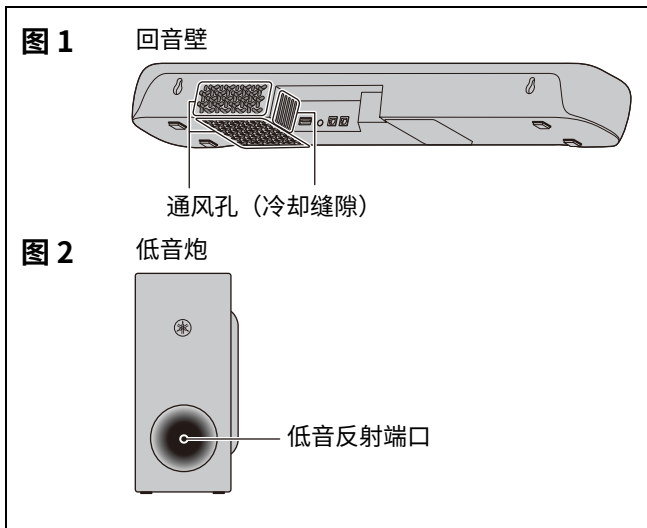
小心操作

- 请勿将您的手或手指插入低音炮的低音反射端口中。（参阅第 4 页的图 2。）
否则可能造成受伤。
- 不要将金属或纸张等异物插入条形音箱的通风孔（冷却缝隙）和低音炮的低音反射端口。（参阅第 4 页的图 1 和图 2。）
- 将小零件保存在婴儿接触不到的地方。
否则可能误吞。
- 请勿执行以下操作：
 - 站于或坐于设备上。
 - 将重物置于设备顶上。
 - 堆放设备。
 - 对按钮、开关、输入 / 输出端子等施加不合理外力。
 - 悬挂在安装于墙上的条形音箱上。
 - 倚靠在安装于墙上的条形音箱上。否则可能会导致受伤或设备损坏。
- 避免拉拽已连接的线缆以保护人员因产品掉落而受伤或产品损坏。

遥控器电池

- 请勿使用非指定电池。
否则可能造成火灾、烧伤或会引发皮肤炎症的漏液。
- 请勿将电池与金属片同时放在口袋或包中运输或储存。
电池可能短路、燃烧或泄露，引起火灾或伤害。
- 装入电池时，请务必使其正负极与 + / - 极标记保持一致。
否则可能造成火灾、烧伤或因电解液泄漏而引发炎症。

- 当电池耗尽或长时间不使用本产品时，请将电池从遥控器中取出以防电解液泄漏。
- 当保存和废弃电池时，请使用胶带或其他保护措施绝缘端子部分。
将电池与其他电池或金属物体混在一起可能造成火灾、烧伤或因电解液泄漏引发炎症。



须知

指示必须遵守的注意点，以防止产品失灵、损坏或故障以及数据丢失。

电源

- 如果长时间不使用本产品，请务必将插头从电源插座上拔下。即使本产品由 [⏻]（待机 / 打开）设为关机状态，仍有微电流在流动。

安装

- 请勿在阳光直射的地方使用本产品，例如在加热器附近会使产品变得非常热，或是变得非常冷，或使产品受到过多的灰尘或震动。否则会造成产品面板变形，内部元件故障，或使操作变得不稳定。
- 如果使用无线功能，请避免将本产品安装在金属墙或桌面、微波炉或其他无线网络设备附近。障碍物可能会缩短传输距离。

连接

- 如果连接外部产品，请务必彻底阅读每个产品的使用说明书，并按照指示进行连接。
如果没有根据指示正确地操作产品将造成故障。
- 请勿将本产品连接至工业产品。
本产品为用于连接个人使用产品的设计。连接至工业产品会导致本产品故障。

操作处理

- 请勿将乙烯、塑料或橡胶物品放在本产品上。否则可能会造成本产品面板的变色或变形。
- 如果环境温度变化剧烈（如在产品运输过程中或快速加热或冷却），产品内部可能发生冷凝，请将本产品保持电源关闭状态数小时，直至完全干燥后再使用。发生冷凝时使用本产品会造成故障。

保养

- 清洁设备时，请使用柔软的干布。使用汽油或稀释剂、清洗剂、化学洗涤剂布等化学药品会造成变色或变形。

扬声器

- 请勿触摸扬声器单元。否则可能会损坏扬声器单元。

处置或转让

- 请务必根据当地法规处置废弃的电池。
- 如果您计划转让此产品的所有权，请将本文档和所提供的附件连同产品一起转让。
- 按照当地主管部门的规定处理本产品及其附件。

信息

本产品所包含的功能

- 低音反射端口可能会有空气吹出。(参阅第 4 页的图 2。)这并非故障。尤其当输出具有重低音的音乐时该情况经常出现。

关于本产品的铭牌

- 回音壁

本产品的型号、序列号、电源要求等规格可能标在铭牌上或铭牌附近，铭牌位于本机底部。请将该序列号填写到下方的横线上，并妥善保存本说明书，以便在产品被盗时作为永久购买凭证使用。

型号

序列号

(bottom_zh_01)

EN	SIMPLIFIED EU DECLARATION OF CONFORMITY / SIMPLIFIED UK DECLARATION OF CONFORMITY
	Hereby, Yamaha Music Europe GmbH declares that the radio equipment type [SR-C30A, ATS-C300] is in compliance with Directive 2014/53/EU and the radio equipment regulations of UK. The full texts of the EU declaration of conformity and the UK declaration of conformity are available at the following internet address: https://europe.yamaha.com/en/support/compliance/doc.html
FR	DECLARATION UE DE CONFORMITE SIMPLIFIEE
	Le soussigné, Yamaha Music Europe GmbH, déclare que l'équipement radioélectrique du type [SR-C30A, ATS-C300] est conforme à la directive 2014/53/UE. Le texte complet de la déclaration UE de conformité est disponible à l'adresse internet suivante: https://europe.yamaha.com/en/support/compliance/doc.html
DE	VEREINFACHTE EU-KONFORMITÄTSEKTLÄRUNG
	Hiermit erklärt Yamaha Music Europe GmbH, dass der Funkanlagentyp [SR-C30A, ATS-C300] der Richtlinie 2014/53/EU entspricht. Der vollständige Text der EU-Konformitätserklärung ist unter der folgenden Internetadresse verfügbar: https://europe.yamaha.com/en/support/compliance/doc.html
SV	FÖRENKLAD EU-FÖRSÄKRAN OM ÖVERENSSTÄMMELSE
	Härmed försäkrar Yamaha Music Europe GmbH att denna typ av radioutrustning [SR-C30A, ATS-C300] överensstämmer med direktiv 2014/53/EU. Den fullständiga texten till EU-försäkrans om överensstämmelse finns på följande webbadress: https://europe.yamaha.com/en/support/compliance/doc.html
IT	DICHIARAZIONE DI CONFORMITÀ UE SEMPLIFICATA
	Il fabbricante, Yamaha Music Europe GmbH, dichiara che il tipo di apparecchiatura radio [SR-C30A, ATS-C300] è conforme alla direttiva 2014/53/UE. Il testo completo della dichiarazione di conformità UE è disponibile al seguente indirizzo Internet: https://europe.yamaha.com/en/support/compliance/doc.html
ES	DECLARACIÓN UE DE CONFORMIDAD SIMPLIFICADA
	Por la presente, Yamaha Music Europe GmbH declara que el tipo de equipo radioeléctrico [SR-C30A, ATS-C300] es conforme con la Directiva 2014/53/UE. El texto completo de la declaración UE de conformidad está disponible en la dirección Internet siguiente: https://europe.yamaha.com/en/support/compliance/doc.html
PT	DECLARAÇÃO UE DE CONFORMIDADE SIMPLIFICADA
	O(a) abaixo assinado(a) Yamaha Music Europe GmbH declara que o presente tipo de equipamento de rádio [SR-C30A, ATS-C300] está em conformidade com a Diretiva 2014/53/UE. O texto integral da declaração de conformidade está disponível no seguinte endereço de Internet: https://europe.yamaha.com/en/support/compliance/doc.html

NL	VEREENVOUDIGDE EU-CONFORMITEITSVERKLARING
	Hierbij verklaar ik, Yamaha Music Europe GmbH, dat het type radioapparatuur [SR-C30A, ATS-C300] conform is met Richtlijn 2014/53/EU. De volledige tekst van de EU-conformiteitsverklaring kan worden geraadpleegd op het volgende internetadres: https://europe.yamaha.com/en/support/compliance/doc.html
BG	ОПРОСТЕНА ЕС ДЕКЛАРАЦИЯ ЗА СЪОТВЕТСТВИЕ
	С настоящото Yamaha Music Europe GmbH декларира, че този тип радиосъоръжение [SR-C30A, ATS-C300] е в съответствие с Директива 2014/53/ЕС. Цялостният текст на ЕС декларацията за съответствие може да се намери на следния интернет адрес: https://europe.yamaha.com/en/support/compliance/doc.html
CS	ZJEDNODUŠENÉ EU PROHLÁŠENÍ O SHODĚ
	Tímto Yamaha Music Europe GmbH prohlašuje, že typ rádiového zařízení [SR-C30A, ATS-C300] je v souladu se směrnicí 2014/53/EU. Úplné znění EU prohlášení o shodě je k dispozici na této internetové adrese: https://europe.yamaha.com/en/support/compliance/doc.html
DA	FORENKLET EU-OVERENSSTEMMELSESEKTLÆRING
	Hermed erklærer Yamaha Music Europe GmbH, at radioudstyrstypen [SR-C30A, ATS-C300] er i overensstemmelse med direktiv 2014/53/EU. EU-overensstemmelseerklæringens fulde tekst kan findes på følgende internetadresse: https://europe.yamaha.com/en/support/compliance/doc.html
ET	LIHTSUSTATUD ELI VASTAVUSDEKLARATSIOON
	Käesolevaga deklareerib Yamaha Music Europe GmbH, et käesolev raadioseadme tüüp [SR-C30A, ATS-C300] vastab direktiivi 2014/53/EL nõuetele. ELi vastavusdeklaratsiooni täielik tekst on kättesaadav järgmisel internetiaadressil: https://europe.yamaha.com/en/support/compliance/doc.html
EL	ΑΠΛΟΥΣΤΕΥΜΕΝΗ ΔΗΛΩΣΗ ΣΥΜΜΟΡΦΩΣΗΣ ΕΕ
	Με την παρούσα ο/η Yamaha Music Europe GmbH, δηλώνει ότι ο ραδιοεξοπλισμός [SR-C30A, ATS-C300] πληροί την οδηγία 2014/53/ΕΕ. Το πλήρες κείμενο της δήλωσης συμμόρφωσης ΕΕ διατίθεται στην ακόλουθη ιστοσελίδα στο διαδίκτυο: https://europe.yamaha.com/en/support/compliance/doc.html
HR	POJEDNOSTAVLJENA EU IZJAVA O SUKLADNOSTI
	Yamaha Music Europe GmbH ovime izjavljuje da je radijska oprema tipa [SR-C30A, ATS-C300] u skladu s Direktivom 2014/53/EU. Cjeloviti tekst EU izjave o sukladnosti dostupan je na sljedećoj internetskoj adresi: https://europe.yamaha.com/en/support/compliance/doc.html
LV	VIENKĀRŠOTA ES ATBILSTĪBAS DEKLARĀCIJAVIENKĀRŠOTA ES ATBILSTĪBAS DEKLARĀCIJA
	Ar šo Yamaha Music Europe GmbH deklarē, ka radioiekārta [SR-C30A, ATS-C300] atbilst Direktīvai 2014/53/ES. Pilns ES atbilstības deklarācijas teksts ir pieejams šādā interneta vietnē: https://europe.yamaha.com/en/support/compliance/doc.html

LT	SUPAPRASTINTA ES ATITIKTIES DEKLARACIJA Aš, Yamaha Music Europe GmbH, patvirtinu, kad radijo įrenginių tipas [SR-C30A, ATS-C300] atitinka Direktyvą 2014/53/ES. Visas ES atitikties deklaracijos tekstas prieinamas šiuo interneto adresu: https://europe.yamaha.com/en/support/compliance/doc.html
HU	EGYSZERŰSÍTETT EU-MEGFELELŐSÉGI NYILATKOZAT Yamaha Music Europe GmbH igazolja, hogy a [SR-C30A, ATS-C300] típusú rádióberendezés megfelel a 2014/53/EU irányelvnek. Az EU-megfelelőségi nyilatkozat teljes szövege elérhető a következő internetes címen: https://europe.yamaha.com/en/support/compliance/doc.html
PL	UPROSZCZONA DEKLARACJA ZGODNOŚCI UE Yamaha Music Europe GmbH niniejszym oświadczam, że typ urządzenia radiowego [SR-C30A, ATS-C300] jest zgodny z dyrektywą 2014/53/UE. Pełny tekst deklaracji zgodności UE jest dostępny pod następującym adresem internetowym: https://europe.yamaha.com/en/support/compliance/doc.html
RO	DECLARAȚIA UE DE CONFORMITATE SIMPLIFICATĂ Prin prezenta, Yamaha Music Europe GmbH declară că tipul de echipamente radio [SR-C30A, ATS-C300] este în conformitate cu Directiva 2014/53/UE. Textul integral al declarației UE de conformitate este disponibil la următoarea adresă internet: https://europe.yamaha.com/en/support/compliance/doc.html
SK	ZJEDNODUŠENÉ EÚ VYHLÁSENIE O ZHODE Yamaha Music Europe GmbH týmto vyhlasuje, že rádiové zariadenie typu [SR-C30A, ATS-C300] je v súlade so smernicou 2014/53/EÚ. Úplné EÚ vyhlásenie o zhode je k dispozícii na tejto internetovej adrese: https://europe.yamaha.com/en/support/compliance/doc.html
SL	POENOSTAVLJENA IZJAVA EU O SKLADNOSTI Yamaha Music Europe GmbH potrjuje, da je tip radijske opreme [SR-C30A, ATS-C300] skladen z Direktivo 2014/53/EU. Celotno besedilo izjave EU o skladnosti je na voljo na naslednjem spletnem naslovu: https://europe.yamaha.com/en/support/compliance/doc.html
FI	YKSINKERTAISTETTU EU-VAATIMUSTENMUKAISUUSVAKUUTUS Yamaha Music Europe GmbH vakuuttaa, että radiolaitetyyppi [SR-C30A, ATS-C300] on direktiivin 2014/53/EU mukainen. EUvaatimustenmukaisuusvakuutuksen täysimittainen teksti on saatavilla seuraavassa internetosoitteessa: https://europe.yamaha.com/en/support/compliance/doc.html
TR	BASİTLEŞTİRİLMİŞ AVRUPA BİRLİĞİ UYGUNLUK BİLDİRİMİ İşbu belge ile, Yamaha Music Europe GmbH, radyo cihaz tipinin [SR-C30A, ATS-C300], Direktif 2014/53/AB'ye uygunluğunu beyan eder. AB uyumu beyanının tam metni aşağıdaki internet adresinden edinilebilir: https://europe.yamaha.com/en/support/compliance/doc.html

YAMAHA CORPORATION

10-1 Nakazawa-cho, Naka-ku, Hamamatsu, 430-8650 Japan

Yamaha Global Site
<https://www.yamaha.com/>

Yamaha Downloads
<https://download.yamaha.com/>

© 2022 Yamaha Corporation
Published 05/2022
2022年5月 发行
KSOD-A0

VFS3170

G