

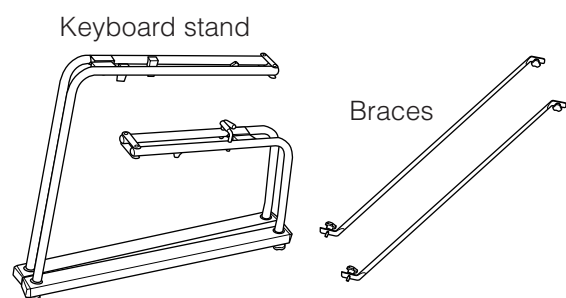
Keyboard Stand DDKU-L7 Owner's Manual

Keyboard Stand Assembly

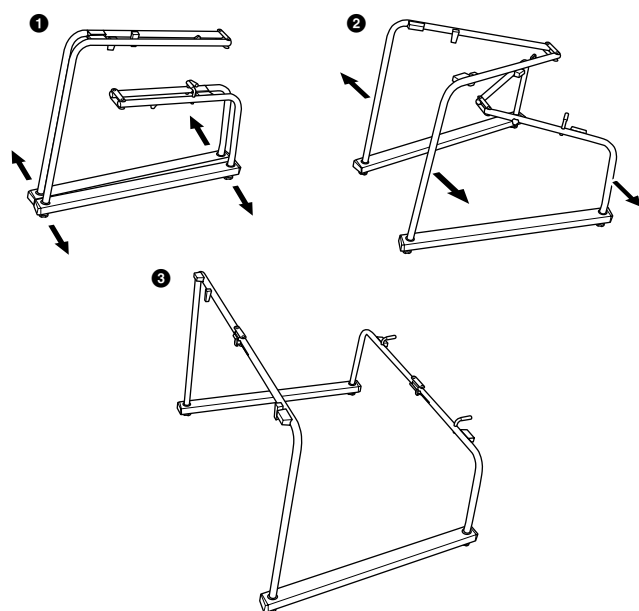
Precautions

- ⚠ Be sure to install the Keyboard Stand with two or more people.
- ⚠ Take care not to drop the Keyboard or to pinch your finger(s).
- ⚠ Assembly should be carried out by at least two persons.
- ⚠ Always place the stand on a flat, stable surface. Placing the stand on uneven surfaces may result in it becoming unstable or overturn, causing the keyboard to drop and possibly resulting in injury.
- ⚠ Do not use the stand for anything other than its designed purpose. The stand is not designed to hold anything other than the specified keyboard. Placing any object other than the specified keyboard on the stand may result in the object dropping or the stand overturning.
- ⚠ Do not apply excessive force to the keyboard as it may cause the stand to overturn or the keyboard to drop.
- ⚠ Make sure the stand is sturdy and safe, and all screws are tight and firm before use. If not, the stand may overturn, the keyboard may drop, or may result in injury to the user.

- 1** Please confirm that all parts shown in the illustration are provided.

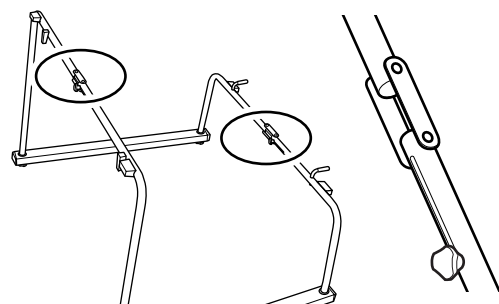


- 2** Unfold the folded keyboard stand.
Unfold the keyboard stand as shown

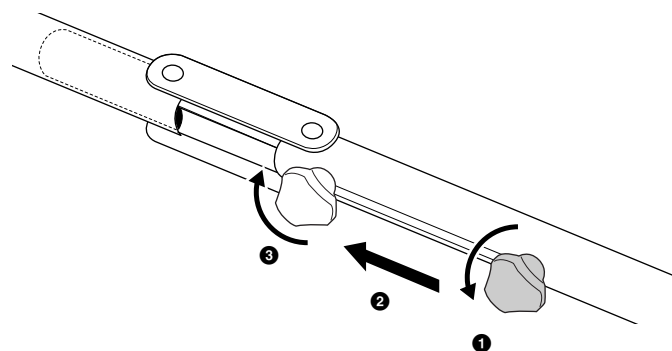


- 3** Straighten the frame.

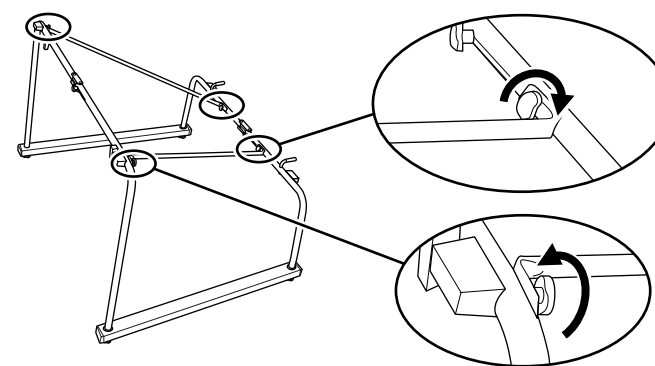
- 3-1** Fix the joints so that the frame is unfolded and straightened properly.



- 3-2** Loosen the fixation bolts and slide them into position, then tighten the screws with your hand.

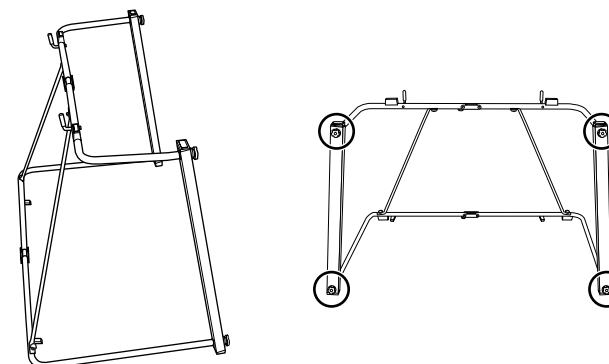


- 4** Install the braces with your hand.
Stretch out the frames and install the braces using the bolts as shown.

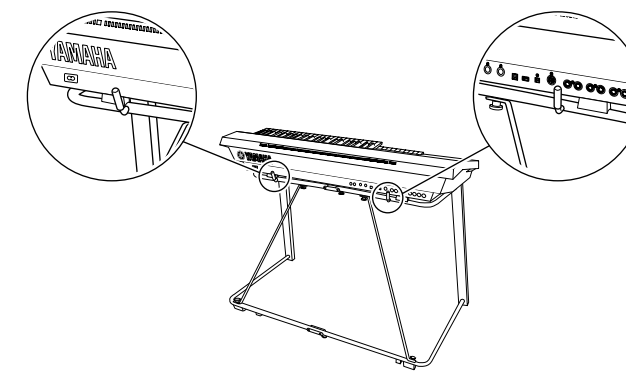
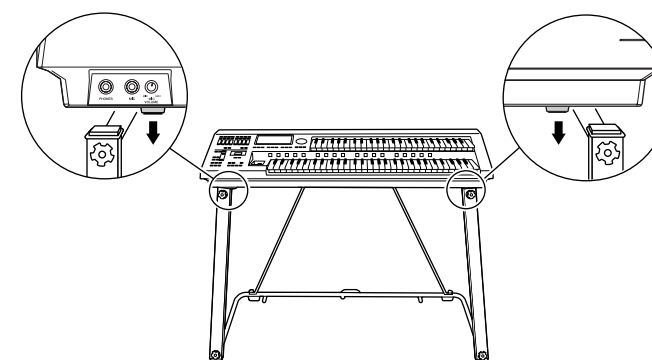


NOTE When removing the braces at disassembly, the screws of the braces may hard to loosen. In this case, loosen the screws while moving the braces lightly to the front, back, left and right.

- 5** Raise the assembled stand as shown, then confirm that all screws shown in the illustration are tight and firm.



- 6** Mount the keyboard.
Hold the keyboard horizontally (with two people), and place it on the keyboard stand, aligning the rear panel with the stoppers on the keyboard stand. Make sure that the protrusion on the bottom of the keyboard fits inside of the stand frames.



- ⚠ Be careful not to drop the keyboard or to get your fingers caught between the keyboard and the stand parts.
- ⚠ Do not hold the keys, since this may damage or result in a malfunction.

To uninstall the Keyboard Stand, reverse the procedure in Step #4 above.

Post-assembly checklist

Once you've assembled the stand, check the following points:

- Are there any parts left over?
If so, read the assembly instructions again and correct any mistakes you might have made.
- Is the instrument clear of doors and other movable fixtures?
If not, move the instrument to an appropriate location.
- Does the instrument make a rattling noise when you play it or move it?
If so, properly tighten all screws.

Also, if the keyboard makes a creaking noise or seems unsteady when you play it, refer carefully to the assembly instructions and diagrams and retighten all screws.

Specifications

Dimensions (WxDxH), Weight	1185 x 652 x 750mm, 6kg
-------------------------------	-------------------------