



# YSP-2200 (YSP-CU2200 + NS-SWP600)

## Quick Reference Guide

UCTABGLV

English

This Quick Reference Guide explains steps to connect TV and Blu-ray disc player to this unit and start playback. Make sure to read "CAUTION: READ THIS BEFORE OPERATING YOUR UNIT." on Safety and Accessory Information first.

### Necessary items for this manual

#### Supplied items

- Center unit and Subwoofer (x1)
- Remote control (x1)
- Cardboard microphone stand (x1)
- IntelliBeam microphone (x1)
- IR Flasher (x1)
- Stands for subwoofer (x4)
- Speaker cable (x1)
- Non-skid pad for the center unit (x4)
- Battery (x2) (AA, R6, UM-3)
- Optical cable (x1)
- Video pin cable (x1)
- Demonstration DVD (x1)

#### Optional items

- TV
- Blu-ray disc player
- HDMI cable (x2)

\*This guide explains how to connect TV and Blu-ray disc player with HDMI input/output jacks. Refer to Safety and Accessory Information about other supplied accessories.

Installation

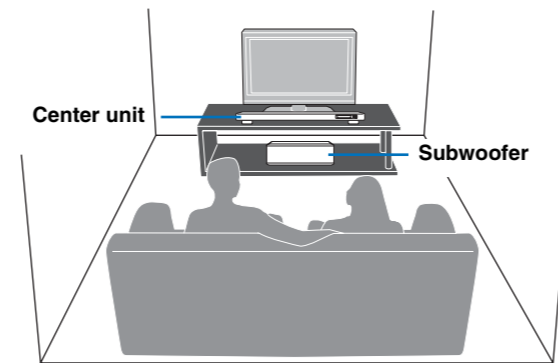
Connection

Settings

Playback

## Install YSP-2200

- Install this unit in the exact center of the wall when it is measured from the left and right corners.
- Install this unit as close to the exact front of your normal listening position as possible.



Some of your TV have sensors such as motion sensor, or signal transmitter for 3D glasses in front. Installing the center unit may interrupts the sensors or signal transmitter functioning. Set the center unit away from your TV, or install it in your rack.

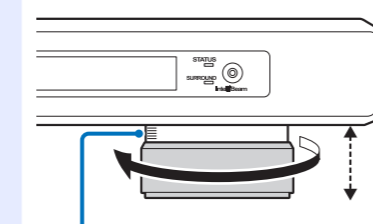
#### Center unit

- Install this unit in the center of the left and right walls.
- Listening position (such as sofa, etc.) should be located at the front of the unit.
- The distance between listening position and the unit should be more than 1.8 m (5.9 ft).

#### Subwoofer

Install the subwoofer as close to the center unit as possible for a better unit of sounds.

#### When the center unit straddles the stands of your TV

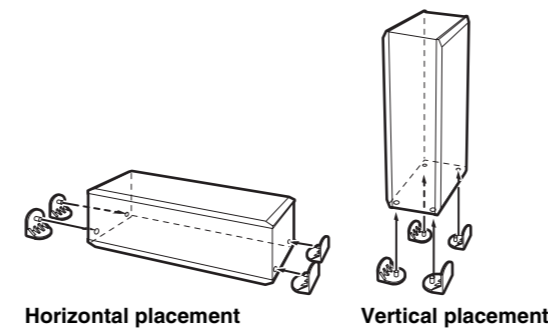


The graduation (from 0 to 10)

Turning the stands to left makes the unit higher. Confirm the graduation of each stand to make each stand the same height.

#### Attach the stands to the subwoofer

Install the subwoofer with the supplied stands. Horizontal placement is convenient for installing the center of a rack, and vertical placement is convenient for installing the side of a rack.

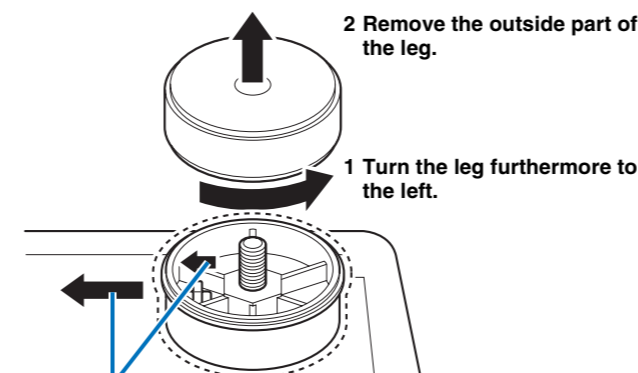


Horizontal placement

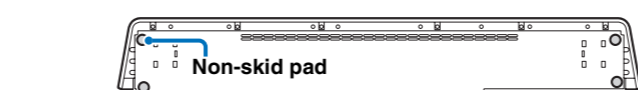
Vertical placement

#### When the center unit hides the remote control sensor of your TV

##### Remove the center unit legs

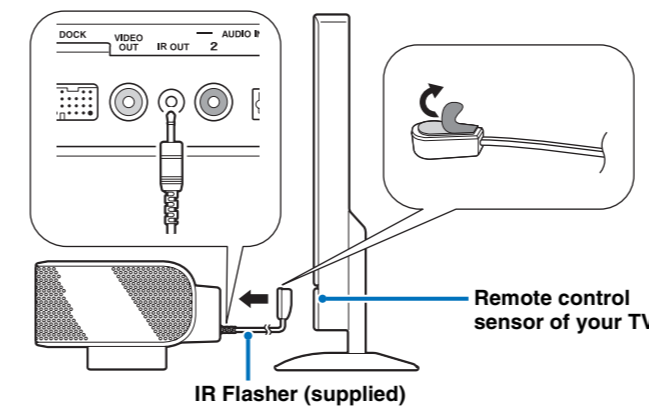


- Attach the 4 non-skid pads (supplied) to the corners on the bottom of the center unit. (The illustration below is one of the examples for attaching the non-skid pads.)



##### Use IR Flasher (supplied)

The unit receives the signal from the remote control of your TV in front, and transmits to your TV by IR Flasher (supplied). Remove the backing paper on the tip of LED part of IR Flasher, and attach it to the remote control sensor of your TV or the area close to the remote control sensor of your TV on the rear panel of center unit as shown. Connect the plug to the IR output jack of the unit.



##### Hint

- When using IR Flasher, direct the remote control of your TV to the center unit.
- This function is valid even in the standby mode.
- This function may not activate with some TVs.

Installation

Connection

Settings

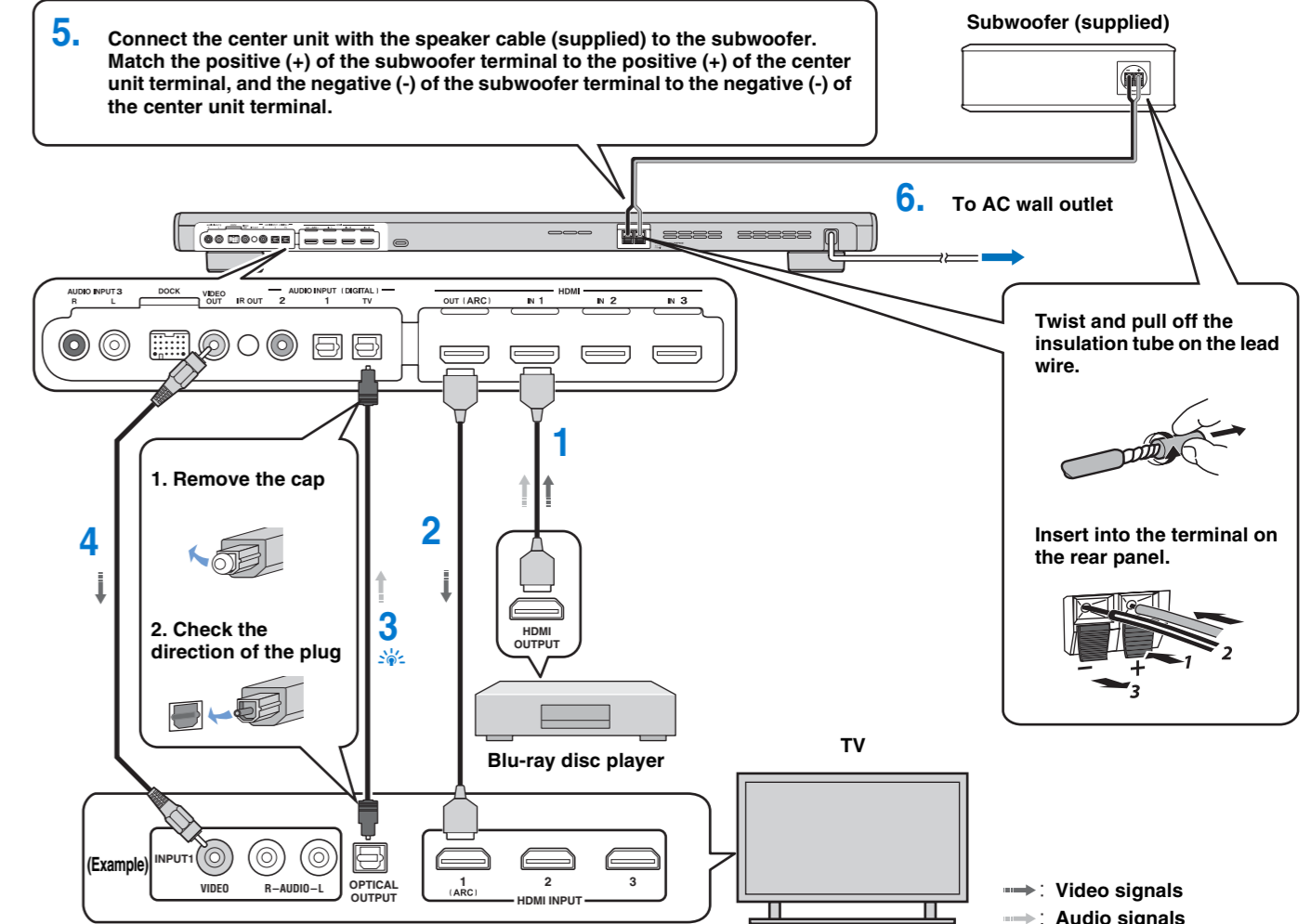
Playback

## Connect your TV and Blu-ray disc player

- Do not connect the power cable until all connections are completed.
- Do not use excessive force when inserting the cable plug. Doing so may damage the cable plug and/or terminal.

For the cable connection, follow the orders below.

- HDMI cable (optional)**  
Input the digital audio/video signals of the Blu-ray disc player to this unit.
- HDMI cable (optional)**  
The digital video of the Blu-ray disc is reflected on TV.
- Optical cable (supplied)**  
Play back digital sounds of TV on this unit.
- Video pin cable (supplied)**  
To display the YSP-2200's setup menus on the TV.



##### Hint

#### Audio return channel (ARC) supported TV

- Connect HDMI cable to audio return channel supported terminal (the terminal with "ARC" indicated) on TV. In this case, you do not need to connect optical cable.
- Activate the HDMI control function of this unit so as to activate audio return channel (ARC). (See Owner's Manual on the page 25.)

#### What is audio return channel (ARC)?

A function transmits digital audio signal output from TV to this unit through a HDMI cable. By this function, a digital audio pin cable to connect TV and this unit is not needed.

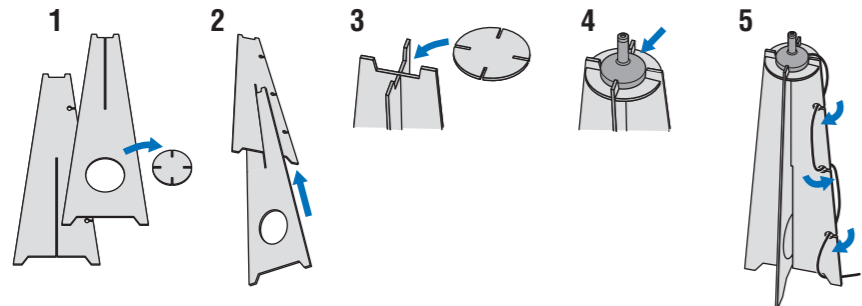
Refer to Owner's Manual on the page 15 when connecting your game console etc.

# Carry out AUTO SETUP for appropriate surround effects

The IntelliBeam technology allows you to achieve sound adjustments that best match your listening environment. It is normal for loud test tones to be output during the AUTO SETUP procedure. Make sure that there are no children around in the listening room while the AUTO SETUP procedure is in progress.

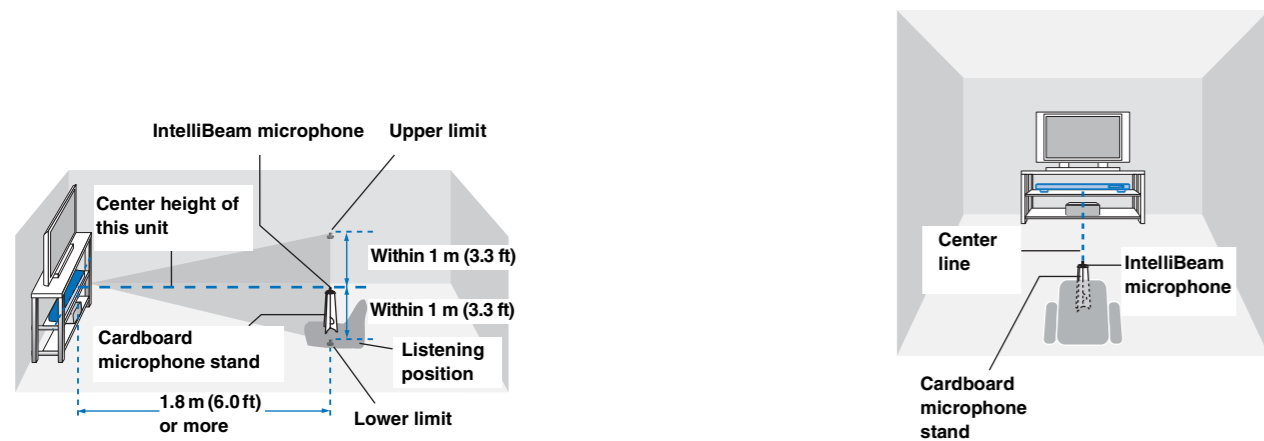
## 1. Set the IntelliBeam microphone at your normal listening position.

Assemble the stand and place the IntelliBeam microphone on top of it horizontally as shown below.



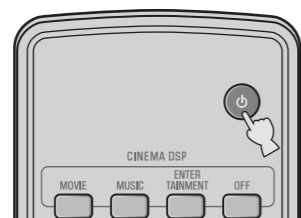
Use the supplied cardboard microphone stand or a tripod to place the IntelliBeam microphone at the same height as your ears would be when you are seated.

Make sure that there are no obstacles between the IntelliBeam microphone and the walls in your listening room as these objects obstruct the path of sound beams. However, any objects that are in contact with the walls will be regarded as a protruding part of the walls.



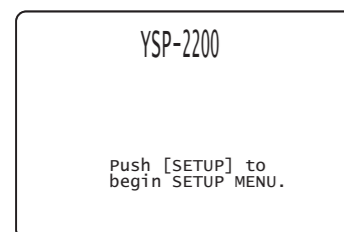
## 2. Press **⏻** key on the remote control.

The power of this unit turns on.



## 3. Turn on the power of your TV and select YSP-2200 as the video input on your TV.

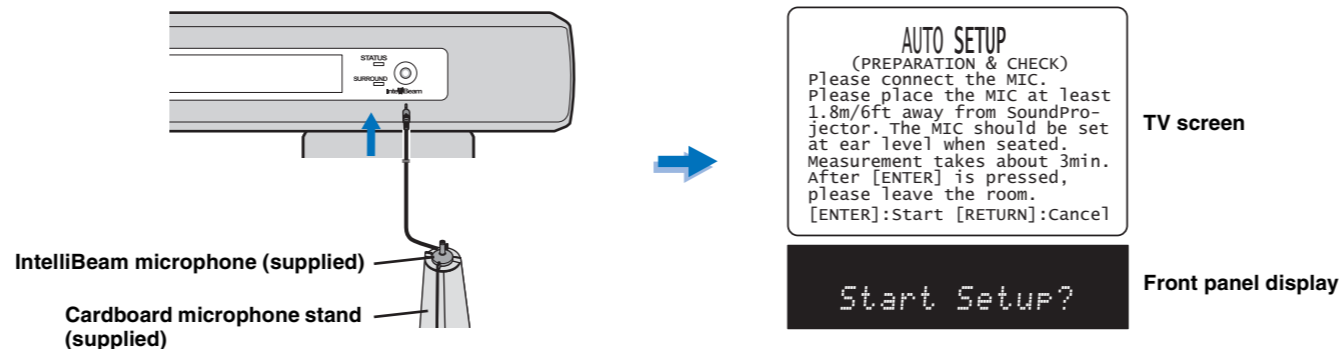
If you connected the video pin cable to TV Video In 1, as shown in the connection diagram, select video input 1 on the TV. If no menu appears, make sure the video pin cable is connected correctly.



### Hint

You can select the language described in the menu screen. Press and hold SETUP key until the "LANGUAGE SETUP" menu appears. → Press  $\Delta/\nabla$  key to select the desired language and then press ENTER key. → Press SETUP key again.

## 4. Connect the supplied IntelliBeam microphone to the INTELLIBEAM jack on the front panel.



## 5. Make sure that your listening room is as quiet as possible.

For accurate measurement, turn off air conditioner or other devices that make noises.

### Hint

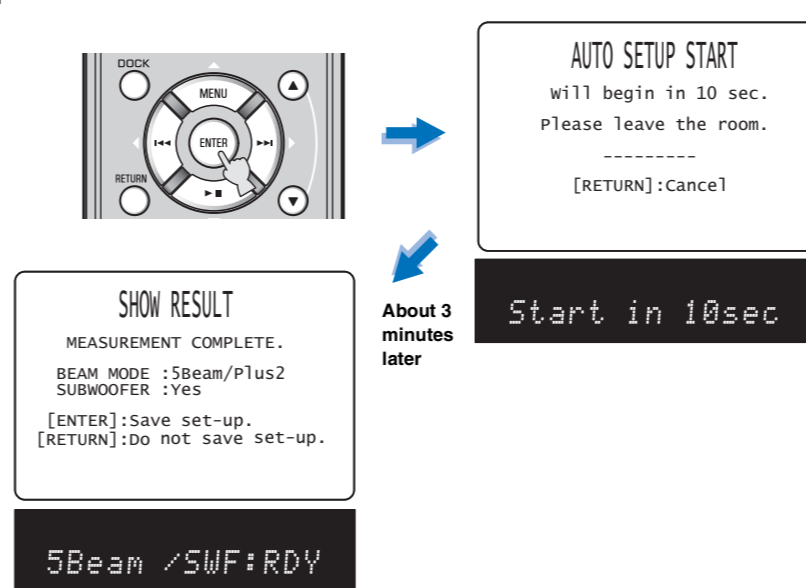
Leave the room after the next procedure. The best setting may not be done if you are in the room. When leaving the room, bring this Quick Reference Guide with you. The AUTO SETUP procedure takes about 3 minutes. Wait outside the room during the AUTO SETUP procedure. To cancel the AUTO SETUP procedure after it is started, press RETURN key.

## 6. Press ENTER key to start the AUTO SETUP procedure and then leave the room within 10 seconds.

The screen changes as each measurement is carried out. When the process is complete, a bell will sound and the results will be displayed on the TV. If "ENVIRONMENT CHECK : Failure" ("Error Code: E-1" etc. is displayed in the front panel display) is displayed, see page 19 of the Owner's Manual and run the measurement process again.

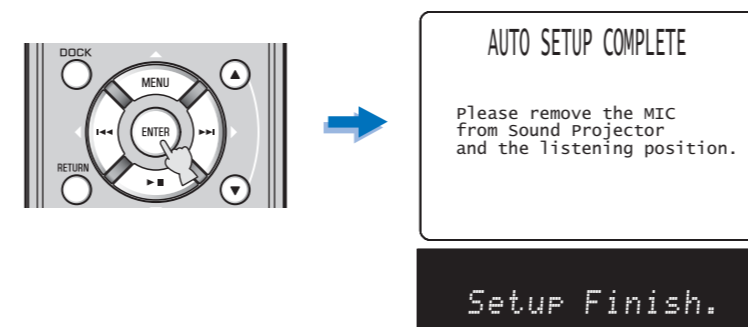
### Hint

- The results displayed depend on the position of the YSP-2200.
- If you hear a buzzer sound and an error message appears on the TV, look for a solution in "Error messages for AUTO SETUP" on page 21 of the Owner's Manual. Then press RETURN key to run the measurement process again.



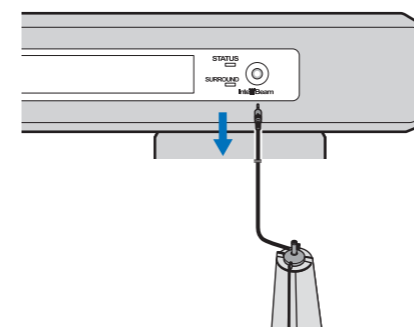
## 7. Press ENTER key.

The measurement result is saved.



## 8. Disconnect the IntelliBeam microphone.

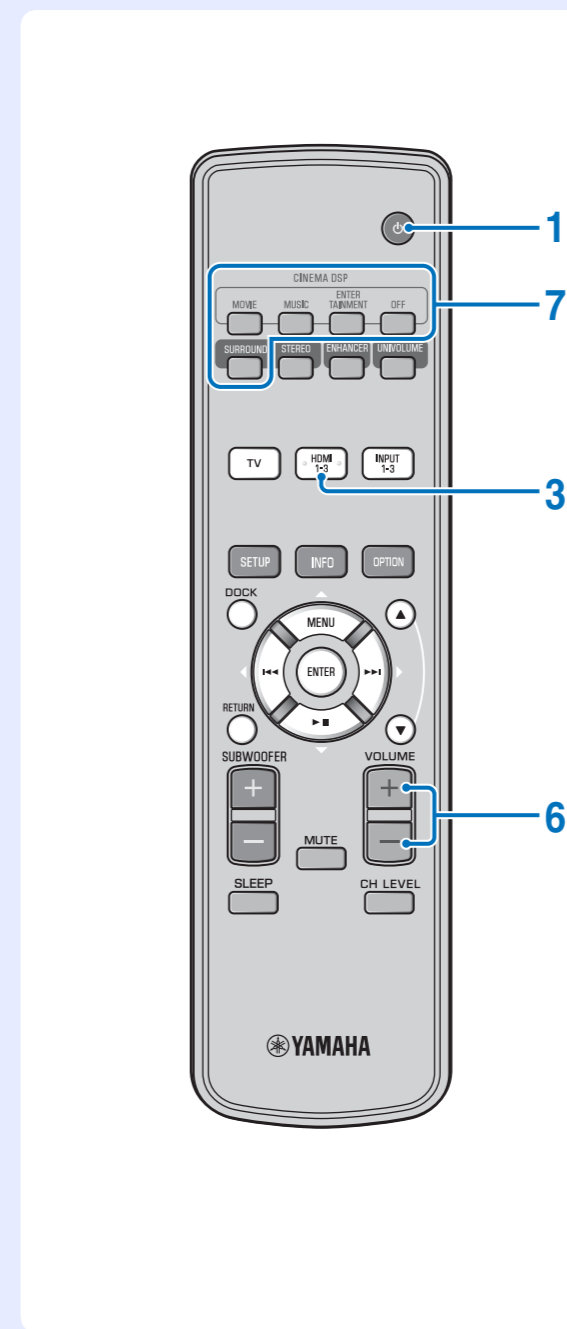
The initial screen appears. Keep the IntelliBeam microphone in a safe place. The settings are automatically saved in the system memory.



# Playing back

Play back the supplied demonstration DVD, and confirm the exact connection and settings.

1. Press **⏻** key to turn on this unit.
2. Turn on your TV and Blu-ray disc player connected to this unit.
3. Press HDMI1-3 to select the Blu-ray disc player as the input source.
  - Input source name: HDMI 1
  - Hint: Press TV key to select the TV as the input source.
4. Set the input source of TV to HDMI input 1.
5. Play back the supplied demonstration DVD.
  - Refer to "Using the supplied demonstration DVD". (Refer to Safety and Accessory Information.)
6. Press VOLUME +/- key to adjust the volume.
  - Hint: Use TV remote control to mute the sound from TV.
7. Press SURROUND key and then the CINEMA DSP keys to set your sound preferences.
  - Hint: When this unit does not play back, check the following
    - The connection between this unit and Blu-ray disc player.
    - The audio output settings of Blu-ray disc player is set to digital sound output.
    - The input of TV is selected exactly.



## Then, have fun for playback!

For detailed operation, refer to the Owner's Manual on the supplied CD-ROM.

### Hint

#### HDMI control function

You can use the TV remote control to operate this unit if your TV supports the HDMI control function. See the page 25 of Owner's Manual about settings.